

**+NOTICE!!**

**These documents have been scanned!**

**Do not place un-scanned documents beneath this notice!**

**Do not remove this notice from this file!**

GPO Jacket No. 560-102  
Print Order 61549  
Rise Business Services, LLC  
Job=AZ15 1/8/2020



Box Number= AZ15284



Claim Begin-End: AMC458058-AMC458096

**1 Initial Receipt**



AZ15284-6

AMC458525-AMC458783

**United States Department of the Interior**  
**Bureau of Land Management**  
 DIV OF LANDS, MINRLS & ENERGY  
 ONE N CENTRAL AVE  
 PHOENIX, AZ 85004 -4427  
 Phone: 602-417-9200

Receipt	
No:	4599049

<b>Transaction #:</b> 4720883	
<b>Date of Transaction:</b> 11/04/2019	
CUSTOMER:	
CONQUEST MINING LLC PO BOX 1243 COTTONWOOD, AZ 86326-1243 US	

LINE #	QTY	DESCRIPTION	REMARKS	UNIT PRICE	TOTAL
1	39.00	LOCATABLE MINERALS / MINING CLAIMS- NEW, UNADJUD, ONE OR MORE AUTH NOS / NEW MINING CLAIM PROCESSING FEE CASES: AMC458058/\$20.00, AMC458059/\$20.00, AMC458060/\$20.00, AMC458061/\$20.00, AMC458062/\$20.00, AMC458063/\$20.00, AMC458064/\$20.00, AMC458065/\$20.00, AMC458066/\$20.00, AMC458067/\$20.00, AMC458068/\$20.00, AMC458069/\$20.00, AMC458070/\$20.00, AMC458071/\$20.00, AMC458072/\$20.00, AMC458073/\$20.00, AMC458074/\$20.00, AMC458075/\$20.00, AMC458076/\$20.00, AMC458077/\$20.00, AMC458078/\$20.00, AMC458079/\$20.00, AMC458080/\$20.00, AMC458081/\$20.00, AMC458082/\$20.00, AMC458083/\$20.00, AMC458084/\$20.00, AMC458085/\$20.00, AMC458086/\$20.00, AMC458087/\$20.00, AMC458088/\$20.00, AMC458089/\$20.00, AMC458090/\$20.00, AMC458091/\$20.00, AMC458092/\$20.00, AMC458093/\$20.00, AMC458094/\$20.00, AMC458095/\$20.00, AMC458096/\$20.00		- n/a -	780.00
2	39.00	LOCATABLE MINERALS / MINING CLAIMS- NEW, UNADJUD, ONE OR MORE AUTH NOS / NEW MINING CLAIMS LOCATION FEE CASES: AMC458058/\$40.00, AMC458059/\$40.00, AMC458060/\$40.00, AMC458061/\$40.00, AMC458062/\$40.00, AMC458063/\$40.00,		- n/a -	1560.00

		AMC458064/\$40.00, AMC458065/\$40.00, AMC458066/\$40.00, AMC458067/\$40.00, AMC458068/\$40.00, AMC458069/\$40.00, AMC458070/\$40.00, AMC458071/\$40.00, AMC458072/\$40.00, AMC458073/\$40.00, AMC458074/\$40.00, AMC458075/\$40.00, AMC458076/\$40.00, AMC458077/\$40.00, AMC458078/\$40.00, AMC458079/\$40.00, AMC458080/\$40.00, AMC458081/\$40.00, AMC458082/\$40.00, AMC458083/\$40.00, AMC458084/\$40.00, AMC458085/\$40.00, AMC458086/\$40.00, AMC458087/\$40.00, AMC458088/\$40.00, AMC458089/\$40.00, AMC458090/\$40.00, AMC458091/\$40.00, AMC458092/\$40.00, AMC458093/\$40.00, AMC458094/\$40.00, AMC458095/\$40.00, AMC458096/\$40.00			
3	39.00	LOCATABLE MINERALS / MINING CLAIMS- NEW, UNADJUD, ONE OR MORE AUTH NOS / NEW MINING CLAIMS MAINTENANCE FEE <b>CASES:</b> AMC458058/\$165.00, AMC458059/\$165.00, AMC458060/\$165.00, AMC458061/\$165.00, AMC458062/\$165.00, AMC458063/\$165.00, AMC458064/\$165.00, AMC458065/\$165.00, AMC458066/\$165.00, AMC458067/\$165.00, AMC458068/\$165.00, AMC458069/\$165.00, AMC458070/\$165.00, AMC458071/\$165.00, AMC458072/\$165.00, AMC458073/\$165.00, AMC458074/\$165.00, AMC458075/\$165.00, AMC458076/\$165.00, AMC458077/\$165.00, AMC458078/\$165.00, AMC458079/\$165.00, AMC458080/\$165.00, AMC458081/\$165.00, AMC458082/\$165.00, AMC458083/\$165.00, AMC458084/\$165.00, AMC458085/\$165.00, AMC458086/\$165.00, AMC458087/\$165.00, AMC458088/\$165.00, AMC458089/\$165.00, AMC458090/\$165.00, AMC458091/\$165.00, AMC458092/\$165.00, AMC458093/\$165.00, AMC458094/\$165.00, AMC458095/\$165.00, AMC458096/\$165.00		- n/a -	6435.00
<b>TOTAL:</b>				<b>\$8,775.00</b>	

PAYMENT INFORMATION			
1	AMOUNT:	8775.00	POSTMARKED: N/A
	TYPE:	CHECK	RECEIVED: 11/04/2019
	CHECK NO:	7251905069	
	NAME:		

		CONQUEST MINING LLC PO BOX 1243 COTTONWOOD AZ 86326-1243 US
--	--	---

REMARKS

This receipt was generated by the automated BLM Collections and Billing System and is a paper representation of a portion of the official electronic record contained therein.

**NOTICE!!**

**These documents have been scanned!**

**Do not place un-scanned documents beneath this notice!**

**Do not remove this notice from this file!**

GPO Jacket No. 560-102  
Print Order 61549  
Rise Business Services, LLC  
Job=AZ15 1/8/2020



Box Number= AZ15284



Claim Begin-End: AMC458058-AMC458096

**2 Correspondence**



AZ15284-6

AMC458525-AMC458783

**NO  
DOCUMENTS  
FOUND**

NO DOCUMENTS FOUND  
NO DOCUMENTS FOUND

**NOTICE!!**

**These documents have been scanned!**

**Do not place un-scanned documents beneath this notice!**

**Do not remove this notice from this file!**

GPO Jacket No. 560-102  
Print Order 61549  
Rise Business Services, LLC  
Job=AZ15 1/8/2020



Box Number= AZ15284



Claim Begin-End: AMC458058-AMC458096

**3 Transfers**



AZ15284-6

AMC458525-AMC458783

**NO  
DOCUMENTS  
FOUND**

NO DOCUMENTS FOUND  
NO DOCUMENTS FOUND



**NOTICE!!**

**These documents have been scanned!**

**Do not place un-scanned documents beneath this notice!**

**Do not remove this notice from this file!**

GPO Jacket No. 560-102  
Print Order 61549  
Rise Business Services, LLC  
Job=AZ15 1/8/2020



Box Number= AZ15284



Claim Begin-End: AMC458058-AMC458096

**4 Annual Filings**



AZ15284-6

AMC458525-AMC458783

458058



One South Church Avenue  
Suite 1800  
Tucson, Arizona 85701-1621  
520.770.8700  
Fax 520.623.2418  
www.quarles.com

Attorneys at Law in  
Chicago  
Indianapolis  
Madison  
Milwaukee  
Minneapolis  
Naples  
Phoenix  
Tampa  
Tucson  
Washington, D.C.

Writer's Direct Dial: 520.770.8708  
E-Mail: tiffany.morris@quarles.com

August 11, 2020

**Via UPS Overnight Delivery**  
Bureau of Land Management  
Arizona State Office  
Attn: Information Access Center  
One North Central Avenue, Suite 800  
Phoenix, Arizona 85004-4427

Re: *Payment of Claim Maintenance Fees for Conquest Mining LLC*

Dear Sir or Madam:

Delivered herewith is a check in the amount of \$6,435.00 as payment of the claim maintenance fees pursuant to 30 U.S.C. § 28f(a), as adjusted by 30 U.S.C. § 28j(c) and implemented by notice in the 84 *Federal Register* 31219-22 (July 1, 2019) and as amended by the Consolidated Appropriates Act 2012, Pub. L. No. 112-74, 125 Stat 786 (2011). The owners are paying a maintenance fee of \$165.00 per claim for the assessment year beginning September 1, 2020. Also enclosed is a copy of the *Certification of Payment of Maintenance Fees in Lieu of Affidavit of Annual Assessment Work* to be recorded with the Mohave County Recorder's Office.

**Please return to this office a date-stamped copy of this letter and the Certification along with the receipt for payment.**

Thank you for your assistance and please feel free to contact me with any questions or concerns.

Sincerely,

Tiffany N. Morris  
Legal Specialist

ENTERED  
AUG 21 2020  
BY: *RAM*

Enclosures  
c: R. Epps (via email)  
J. Janda (via email)

#4781394

RECEIVED  
BLM-AZ STATE OFFICE  
2020 AUG 13 A 9 33  
PHOENIX ARIZONA

When Recorded Mail To:

Marian C. LaLonde, Esq.  
QUARLES & BRADY, LLP  
1 S. Church Avenue, Suite 1800  
Tucson, Arizona 85701

**CAPTION HEADING:** Certification of Payment of Maintenance Fees In Lieu  
of Affidavit of Annual Assessment Work

RECEIVED  
BLM AZ STATE OFFICE  
2020 AUG 13 A 8 3  
PHOENIX ARIZONA

**CERTIFICATION OF PAYMENT OF MAINTENANCE FEES  
IN LIEU OF AFFIDAVIT OF ANNUAL ASSESSMENT WORK**

STATE OF ARIZONA            )  
  ) ss.  
County of Pima                )

Marian C. LaLonde, being first duly sworn, deposes and says that:

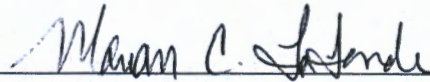
1. She is an agent for Conquest Mining LLC, an Arizona limited liability company, the owner of the unpatented mining claims situated in Mohave County, Arizona (the "Claims"), the location notices of which are of record in said county, and in the records of the Arizona State Office of the Bureau of Land Management under the file numbers indicated in the attached Exhibit A.

2. Pursuant to the 30 U.S.C. § 28f(a), as adjusted by 30 U.S.C. § 28j(c) and implemented by notice in 84 *Federal Register* 31219-22 (July 1, 2019) and as amended by the Consolidated Appropriations Act 2012, Pub. L. No. 112-74, 125 Stat. 786 (2011), the owner has paid a maintenance fee of \$165.00 per claim for the assessment year beginning September 1, 2020. This Certificate is in lieu of an affidavit of performance of annual assessment work or notice of intent to hold.

3. The name and address of the owners of **all** claims for which this Certificate is prepared are Conquest Mining LLC, P.O. Box 1243, Cottonwood, AZ 86326. **THIS IS NOT AN ADDRESS CHANGE.**

4. The Claims are held and claimed by the owner for the valuable mineral contained therein.

DATED this 11th day of August, 2020.

  
\_\_\_\_\_  
Marian C. LaLonde

Sworn and subscribed to before me this 11th day of August, 2020, by Marian C. LaLonde, Agent for Conquest Mining LLC.



  
\_\_\_\_\_  
Notary Public

RECEIVED  
BLMAZ STATE OFFICE  
2020 AUG 13 A 9:38  
PHOENIX, ARIZONA

## EXHIBIT A

### Conquest Mining LLC Unpatented Mining Claims

The following unpatented lode mining claims are located and recorded in Mohave County, Arizona in Sections 4, 5, 22 and 23, Township 11 North, Range 14 West; and Sections 31-33, Township 12 North, Range 14 West of the G&SR Meridian:

BLM Serial Number	Claim Name	Location Date	County Records Number	Recording Date
AMC458058	KM 1	10/26/2019	2019-058822	10/28/2019
AMC458059	KM 2	10/26/2019	2019-058823	10/28/2019
AMC458060	KM 3	10/26/2019	2019-0588-24	10/28/2019
AMC458061	KM 4	10/26/2019	2019-058825	10/28/2019
AMC458062	KM 5	10/26/2019	2019-058826	10/28/2019
AMC458063	KM 6	10/26/2019	2019-058827	10/28/2019
AMC458064	SM 1	10/23/2019	2019-058858	10/28/2019
AMC458065	SM 2	10/23/2019	2019-058829	10/28/2019
AMC458066	SM 3	10/23/2019	2019-058830	10/28/2019
AMC458067	SM 4	10/23/2019	2019-058831	10/28/2019
AMC458068	SM 5	10/23/2019	2019-058832	10/28/2019
AMC458069	SM 6	10/23/2019	2019-058833	10/28/2019
AMC458070	SM 7	10/23/2019	2019-058834	10/28/2019
AMC458071	SM 8	10/23/2019	2019-058835	10/28/2019
AMC458072	SM 9	10/23/2019	2019-058836	10/28/2019
AMC458073	SM 10	10/23/2019	2019-058837	10/28/2019
AMC458074	SM 11	10/23/2019	2019-058838	10/28/2019
AMC458075	SM 12	10/23/2019	2019-058839	10/28/2019
AMC458076	SM 13	10/23/2019	2019-058840	10/28/2019
AMC458077	SM 14	10/23/2019	2019-058841	10/28/2019
AMC458078	SM 15	10/24/2019	2019-058842	10/28/2019
AMC458079	SM 16	10/24/2019	2019-058843	10/28/2019
AMC458080	SM 17	10/24/2019	2019-058844	10/28/2019
AMC458081	SM 18	10/24/2019	2019-058845	10/28/2019
AMC458082	SM 19	10/24/2019	2019-058846	10/28/2019
AMC458083	SM 20	10/24/2019	2019-058847	10/28/2019
AMC458084	SM 21	10/24/2019	2019-058848	10/28/2019
AMC458085	SM 22	10/24/2019	2019-058849	10/28/2019
AMC458086	SM 23	10/24/2019	2019-058850	10/28/2019
AMC458087	SM 24	10/24/2019	2019-058851	10/28/2019

RECEIVED  
 PHOENIX ARIZONA  
 10/28/2019

BLM Serial Number	Claim Name	Location Date	County Records Number	Recording Date
AMC458088	SM 25	10/24/2019	2019-058852	10/28/2019
AMC458089	SM 26	10/24/2019	2019-058853	10/28/2019
AMC458090	SM 27	10/24/2019	2019-058854	10/28/2019
AMC458091	SM 28	10/24/2019	2019-058855	10/28/2019
AMC458092	SM 29	10/25/2019	2019-058856	10/28/2019
AMC458093	SM 30	10/25/2019	2019-058857	10/28/2019
AMC458094	SM 31	10/25/2019	2019-058858	10/28/2019
AMC458095	SM 32	10/25/2019	2019-058859	10/28/2019
AMC458096	SM 33	10/25/2019	2019-058860	10/28/2019

RECEIVED  
BLM AZ STATE OFFICE  
2020 AUG 13 A 9 31  
PHOENIX, ARIZONA

**Extremely Urgent**

This envelope is for use with the following services: **UPS Next Day Air®**  
**UPS Worldwide Express®**  
**UPS 2nd Day Air®**

Visit **ups.com®** or call **1-800-PICK-UPS®** (1-800-742-5877) to schedule a pickup or find a drop off location near you.

Apply shipping documents on this side.

**Domestic Shipments**

- To qualify for the Letter rate, UPS Express Envelopes may only contain correspondence, urgent documents, electronic media, and must weigh 8 oz. or less. UPS Express Envelopes containing items other than those listed or weighing more than 8 oz. will not qualify.

Do not use this envelope for:

**UPS Ground**

**International Shipments**

- The UPS Express Envelope may be used only for international mail. Certain countries consider electronic mail. Visit [ups.com/importexport](http://ups.com/importexport) to verify if your shipment is eligible.

- To qualify for the Letter rate, the UPS Express Envelope must weigh less than 8 oz.

**Note:** Express Envelopes are not recommended for shipments containing sensitive personal information or cash equivalent.

THIRANY MORRIS  
(623) 770-8708  
QUARLES & BRADY  
ONE S. CHURCH AVE.  
TUCSON, AZ 857011630

0.0 LBS LTR 1 OF 1

**SHIP TO:**  
ARIZONA STATE OFFICE  
(602) 417-9200  
BUREAU OF LAND MANAGEMENT  
SUITE 800  
1 N. CENTRAL AVENUE  
PHOENIX AZ 85004-4427



**AZ 850 9-10**

**UPS NEXT DAY AIR 1**

TRACKING #: 1Z 816 929 01 9988 5259



BILLING: P/P

Tix Ref No.: TMCORRIS:10160  
Tix Ref No.: 163808.00003

XOL 20/08/05 NV49 31.0A.07/2020



171604 REV.12/09 FD

100% Recycled fiber  
80% Post-Consumer

International Shipping Notice — Carriage hereunder may be subject to the rules relating to liability and other terms and/or conditions established by the Convention for the Unification of Certain Rules Relating to International Carriage by Air (the "Warsaw Convention") and/or the Convention on the Contract for the International Carriage of Goods by Road (the "CMR Convention"). These commodities, technology or software were exported from the U.S. in accordance with the Export Administration Regulations. Diversion contrary to U.S. law prohibited.

010195101 1/10 IP United Parcel Service, Louisville, KY



Synchronizing the world of commerce<sup>SM</sup>

BUREAU OF LAND MANAGEMENT  
1 N CENTRAL AVE  
STE 800  
PHOENIX AZ 85004  
P: BROWN S: ORANGE I:  
**1004-1068**  
12815929015085 5259  
PAYOR'S RND 12 94 99 93 9420  
US 9501 11728 25 5, 6 94108495L  
1030

RECEIVED  
BIM AZ STATE OFFICE  
2020 AUG 19 10:03  
PHOENIX, ARIZONA

# Express Envelope



**United States Department of the Interior**  
**Bureau of Land Management**  
 DIV OF LANDS, MINRLS & ENERGY  
 ONE N CENTRAL AVE  
 PHOENIX, AZ 85004 -4427  
 Phone: 602-417-9200

Receipt

No: 4781394

<b>Transaction #:</b> 4908403	
<b>Date of Transaction:</b> 08/14/2020	
<b>CUSTOMER:</b>	
QUARLES & BRADY LLP 1 S CHURCH AVE STE 1800 TUCSON, AZ 85701-1630 US	

LINE #	QTY	DESCRIPTION	REMARKS	UNIT PRICE	TOTAL
1	1.00	LOCATABLE MINERALS / MINING CLAIMS-NOT NEW-UNADJUD, ONE AUTH NO. ONLY / MINING CLAIM MONEY RECEIVED CASES: AMC458058/\$6435.00	MAINT 2021	- n/a -	6435.00
<b>TOTAL:</b>					<b>\$6,435.00</b>

PAYMENT INFORMATION			
1	AMOUNT:	6435.00	POSTMARKED: N/A
	TYPE:	CHECK	RECEIVED: 08/13/2020
	CHECK NO:	1042	
	NAME:	QUARLES & BRADY LLP 1 S CHURCH AVE STE 1800 TUCSON AZ 85701-1630 US	

REMARKS

This receipt was generated by the automated BLM Collections and Billing System and is a paper representation of a portion of the official electronic record contained therein.

**NOTICE!!**

**These documents have been scanned!**

**Do not place un-scanned documents beneath this notice!**

**Do not remove this notice from this file!**

GPO Jacket No. 560-102  
Print Order 61549  
Rise Business Services, LLC  
Job=AZ15 1/8/2020



Box Number= AZ15284



Claim Begin-End: AMC458058-AMC458096

**5 Miscellaneous**



AZ15284-6

AMC458525-AMC458783

**NO  
DOCUMENTS  
FOUND**

NO DOCUMENTS FOUND  
NO DOCUMENTS FOUND

**NOTICE!!**

**These documents have been scanned!**

**Do not place un-scanned documents beneath this notice!**

**Do not remove this notice from this file!**

GPO Jacket No. 560-102  
Print Order 61549  
Rise Business Services, LLC  
Job=AZ15 1/8/2020



Box Number= AZ15284



Claim Begin-End: AMC458058-AMC458096

**6 Location Notices-Amendments and Supporting Documents**



AZ15284-6

AMC458525-AMC458783

# MINING CLAIM STATUS REPORT - Assessment Year 2020

Data Entered: 11/13/19 RDM

MTP Checked By: 11/13/19 RDM  
 GEO Checked By: 11/13/19 RDM

LEAD SERIAL NUMBER: AMC 458058 thru AMC 458096

**NUMBER OF CLAIMS & TYPE:**

39 LODE  
 \_\_\_\_\_ PLACER  
 \_\_\_\_\_ ASSOCIATION PLACER  
 \_\_\_\_\_ MILL SITE  
 \_\_\_\_\_ TUNNEL SITE

**CHARGES:**

Processing Fee @ \$20 = \$ 780  
 Location Fee @ \$40 = \$ 1,560  
 Maintenance Fee @ \$165 = \$ 6,435  
 Add'l Maint Fee for Assoc Placer = \$ \_\_\_\_\_  
**SUBTOTAL** \$ \_\_\_\_\_  
 Other Fees \$ \_\_\_\_\_  
 Other Fees \$ \_\_\_\_\_  
**TOTAL** \$ 8,775

**TOTAL ACREAGE:** \_\_\_\_\_ Per Claim  
 (Placer Only)

**NUMBER OF LOCATORS:** \_\_\_\_\_

**DOCUMENTS RECEIVED VIA:** Over-the-Counter [ ] Mail [  ] **TIMELY FILED:** Yes [  ] No [ ]

**LEGAL DESCRIPTION:**

T	<u>11N</u>	R	<u>14W</u>	SEC	<u>4, 5,</u>
T	<u>12N</u>	R	<u>14W</u>	SEC	<u>22, 23,</u>
T		R		SEC	<u>31, 32, 33</u>
T		R		SEC	
T		R		SEC	
T		R		SEC	

BLM [ ] FOREST SERVICE [ ] SUBJ TO PL 359: Yes [ ] No [ ]  
 WILDERNESS AREA [ ]

**SPLIT ESTATE:** N/A [ ] SX [ ] PX [ ] OTHER [ ]  
 SRHA [ ] Was proper Notice filed if located on SHRA Land? Yes [ ] No [ ]

**RECONVEYED MINERALS ON BLM LAND REQUIRE OPENING ORDER FROM 1944 TO 1993:**  
 Open to Entry On \_\_\_\_\_ N/A [ ]

**COMMENTS/STATUS:** VOID [ ] PARTIALLY VOID [ ] PVT MINERALS [ ] WITHDRAWN LANDS [ ]  
 OTHER [ ] NO RIGHTS EXTENDED TO THOSE PORTIONS OF CLAIMS  
OVERLAPPING LANDS NOT OPEN TO MINING, AM

[ ] Claimant acknowledges that portions of the following claim(s) site(s) may be void or voidable.

Printed Name of Claimant \_\_\_\_\_ Signature of Claimant \_\_\_\_\_

\*\*\*\*\*FINAL ADJUDICATION\*\*\*\*\*

DATE 6/1/2020 INITIALS DM

AMC 458058

2

When Recorded return to:  
Conquest Mining LLC  
P.O. Box 1243  
Cottonwood, AZ, 86326



**FEE# 2019058822**

OFFICIAL RECORDS  
OF MOHAVE COUNTY  
KRISTI BLAIR,  
COUNTY RECORDER



10/28/2019 10:28 AM Fee: \$30.00

PAGE: 1 of 2

**LOCATION NOTICE FOR LODE MINING CLAIM**

Amendment      BLM Serial # \_\_\_\_\_

NOTICE IS HEREBY GIVEN that the **KM 1** lode mining claim has been located by **Conquest Mining LLC** whose current mailing address is  
**P.O. Box 1243**

**Cottonwood, AZ, 86326**

The general course of this claim is **east-west** and it is situated in **Mohave County, Arizona**. This claim is **1500** feet in length and **600** feet in width.

**20.66** Total Claim Acreage. This claim runs from the location monument on which this location notice is posted on the centerline of the claim approximately **20** feet in a **east** direction to the **east** end line and **1480** feet in a **west** direction to the **west** end line. This claim is marked by six monuments one at each corner and one at the center of each end line of the claim.

The location monument on which this notice is posted is situated within Section **23**, Township **11N**, Range **14W**, Gila and Salt River Base and Meridian, Arizona and this claim encompasses portions of the following quarter section(s), section(s), Township(s) and Range(s):

**NW quarter of section 23 T11N R14W Gila and Salt River Base and Meridian, Arizona**  
**NE quarter of section 22 T11N R14W Gila and Salt River Base and Meridian, Arizona**

The locality of this claim with reference to some natural object or permanent monument and additional information (if any) concerning its locality are as follows: The **NE corner of the claim** is **4778** feet west and **4812** feet north from the **SE corner of section 23 T11N R14W Gila and Salt River Base and Meridian, Arizona**.

The above information is shown on the attached map.

DATED AND POSTED on the ground this 26 day of **October 2019**.

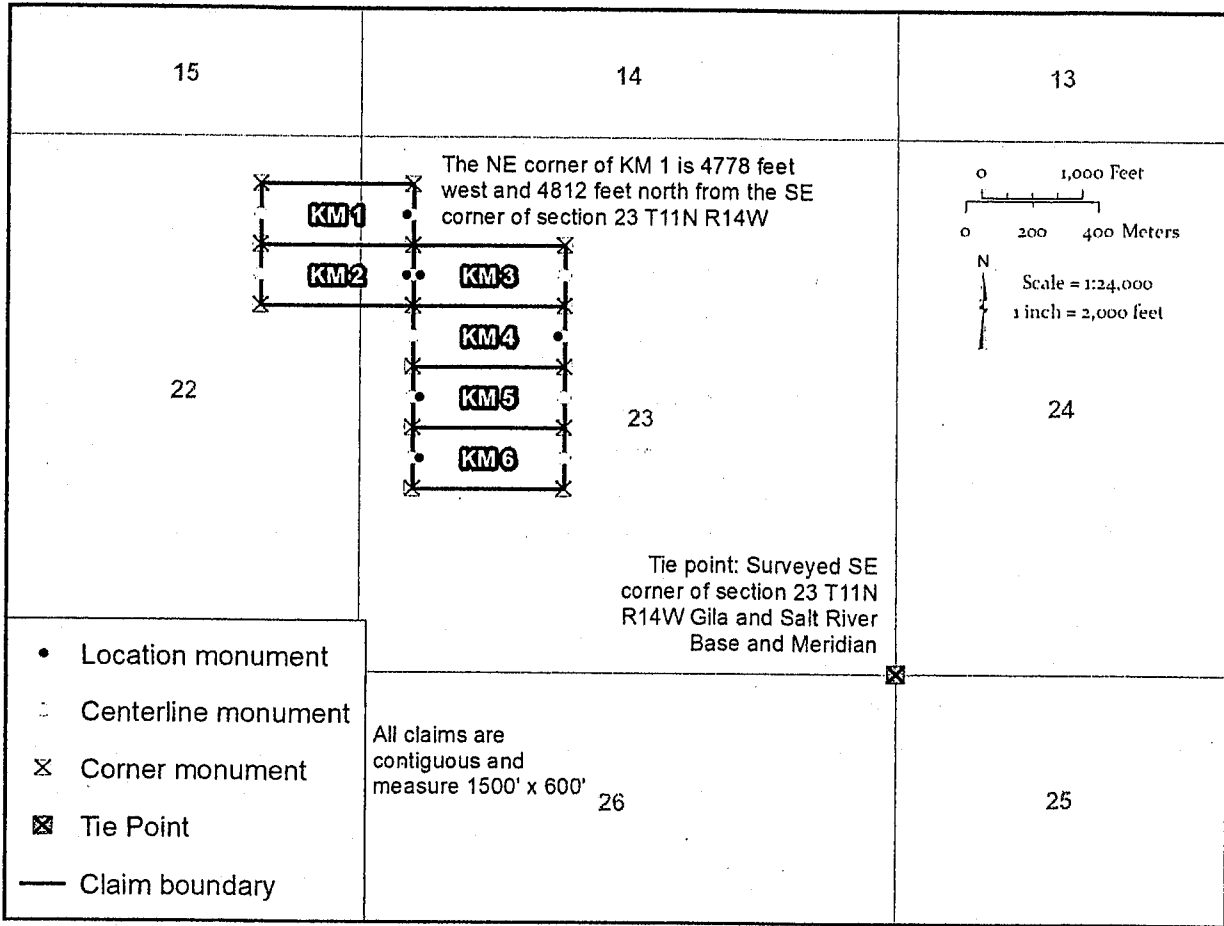
LOCATOR(s)     AGENT

Printed Name(s): **Stephen McKay**

Signature: *Stephen McKay*      Date: 26 October 2019

RECEIVED  
LM AZ STATE OFFICE  
PHOENIX, ARIZONA  
OCT 30 P 3:04

AMC458058



AMC458058

1. The above map depicts the **KM 1** mining claim, which is located in Section(s) **23, 22** Township(s), **11N** Range(s) **14W**, Gila and Salt River Base and Meridian, **Mohave** County, Arizona. Total Acreage is **20.66**.
2. The type of corner and location monuments used are as follows: **2" X 2" X 60" wooden post**
3. The distances in feet between claim corners and to the public land survey monument are as depicted on the map.

RECEIVED  
 DLM AZ STATE OFFICE  
 2019 OCT 30 P 3:04  
 PHOENIX, ARIZONA

2

When Recorded return to:  
Conquest Mining LLC  
P.O. Box 1243  
Cottonwood, AZ, 86326

  
**FEE# 2019058823**

OFFICIAL RECORDS  
OF MOHAVE COUNTY  
KRISTI BLAIR,  
COUNTY RECORDER



10/28/2019 10:28 AM Fee: \$30.00

PAGE: 1 of 2

**LOCATION NOTICE FOR LODE MINING CLAIM**

Amendment      BLM Serial # \_\_\_\_\_

NOTICE IS HEREBY GIVEN that the **KM 2** lode mining claim has been located by **Conquest Mining LLC** whose current mailing address is  
**P.O. Box 1243**  
**Cottonwood, AZ, 86326**

The general course of this claim is **east-west** and it is situated in **Mohave County, Arizona**. This claim is **1500** feet in length and **600** feet in width.

**20.66** Total Claim Acreage. This claim runs from the location monument on which this location notice is posted on the centerline of the claim approximately **20** feet in a **east** direction to the **east** end line and **1480** feet in a **west** direction to the **west** end line. This claim is marked by six monuments one at each corner and one at the center of each end line of the claim.

The location monument on which this notice is posted is situated within Section **23**, Township **11N**, Range **14W**, Gila and Salt River Base and Meridian, Arizona and this claim encompasses portions of the following quarter section(s), section(s), Township(s) and Range(s):

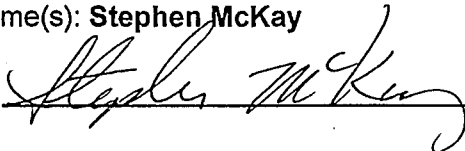
**NW quarter of section 23 T11N R14W Gila and Salt River Base and Meridian, Arizona**  
**NE quarter of section 22 T11N R14W Gila and Salt River Base and Meridian, Arizona**

The locality of this claim with reference to some natural object or permanent monument and additional information (if any) concerning its locality are as follows: The **NE** corner of the claim is **4778** feet west and **4212** feet north from the **SE** corner of section **23 T11N R14W Gila and Salt River Base and Meridian, Arizona**.

The above information is shown on the attached map.

DATED AND POSTED on the ground this 26 day of **October 2019**.

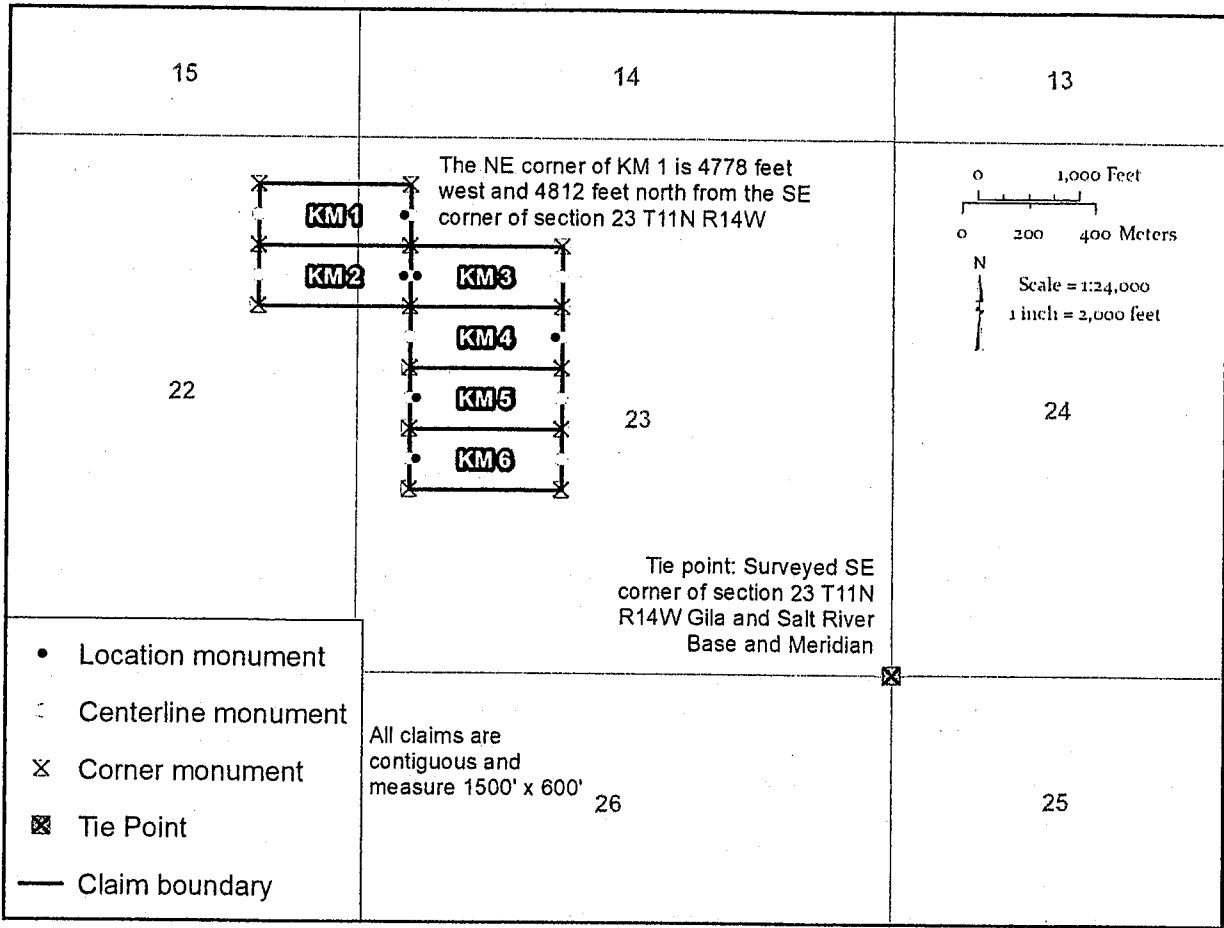
LOCATOR(s)    AGENT  
Printed Name(s): **Stephen McKay**

Signature:       Date: 26 October 2019

RECEIVED  
BLM AT STATE OFFICE  
2019 OCT 30 P 3:04  
PHOENIX, ARIZONA

AMC458059





AMC458059

1. The above map depicts the **KM 2** mining claim, which is located in Section(s) **23, 22** Township(s), **11N** Range(s) **14W**, Gila and Salt River Base and Meridian, **Mohave** County, Arizona. Total Acreage is **20.66**.
2. The type of corner and location monuments used are as follows: **2" X 2" X 60" wooden post**
3. The distances in feet between claim corners and to the public land survey monument are as depicted on the map.

RECEIVED  
BLM AZ STATE OFFICE  
2019 OCT 30 P 3:02  
PHOENIX, ARIZONA

2

When Recorded return to:  
Conquest Mining LLC  
P.O. Box 1243  
Cottonwood, AZ, 86326

  
**FEE# 2019058824**

OFFICIAL RECORDS  
OF MOHAVE COUNTY  
KRISTI BLAIR,  
COUNTY RECORDER



10/28/2019 10:28 AM Fee: \$30.00

PAGE: 1 of 2

**LOCATION NOTICE FOR LODE MINING CLAIM**

Amendment      BLM Serial # \_\_\_\_\_

NOTICE IS HEREBY GIVEN that the **KM 3** lode mining claim has been located by **Conquest Mining LLC** whose current mailing address is  
**P.O. Box 1243**  
**Cottonwood, AZ, 86326**

The general course of this claim is **east-west** and it is situated in **Mohave County, Arizona**. This claim is **1500** feet in length and **600** feet in width.

**20.66** Total Claim Acreage. This claim runs from the location monument on which this location notice is posted on the centerline of the claim approximately **20** feet in a **west** direction to the **west** end line and **1480** feet in a **east** direction to the **east** end line. This claim is marked by six monuments one at each corner and one at the center of each end line of the claim.

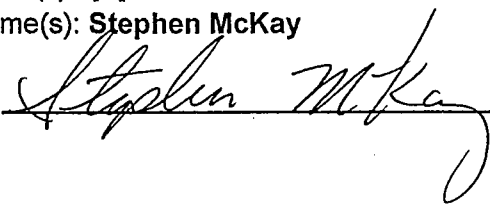
The location monument on which this notice is posted is situated within **Section 23, Township 11N, Range 14W, Gila and Salt River Base and Meridian, Arizona** and this claim encompasses portions of the following quarter section(s), section(s), Township(s) and Range(s):  
**NW quarter of section 23 T11N R14W Gila and Salt River Base and Meridian, Arizona**

The locality of this claim with reference to some natural object or permanent monument and additional information (if any) concerning its locality are as follows: **The NE corner of the claim is 3278 feet west and 4212 feet north from the SE corner of section 23 T11N R14W Gila and Salt River Base and Meridian, Arizona.**

The above information is shown on the attached map.

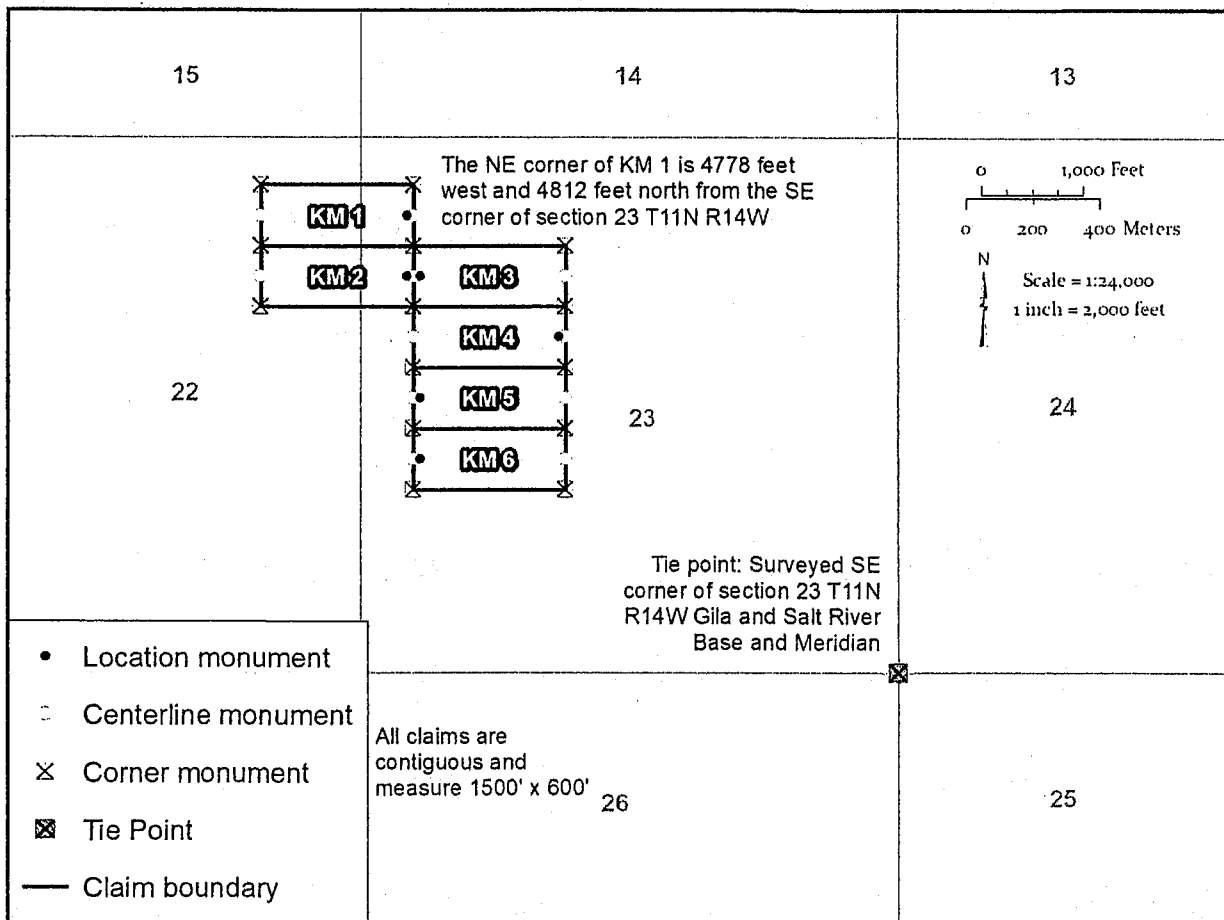
DATED AND POSTED on the ground this 26 day of **October 2019**.

[ ] LOCATOR(s) [X] AGENT  
Printed Name(s): **Stephen McKay**

Signature:  Date: 26 October 2019

RECEIVED  
BLM AZ STATE OFFICE  
2019 OCT 30 P 3: 05  
PHOENIX, ARIZONA

AMC458060



AMC458060

1. The above map depicts the **KM 3** mining claim, which is located in Section(s) **23** Township(s), **11N** Range(s) **14W**, Gila and Salt River Base and Meridian, **Mohave** County, Arizona. Total Acreage is **20.66**.
2. The type of corner and location monuments used are as follows: **2" X 2" X 60" wooden post**
3. The distances in feet between claim corners and to the public land survey monument are as depicted on the map.

RECEIVED  
BLM AZ STATE OFFICE  
2019 OCT 30 P 3:05  
PHOENIX, ARIZONA

2

When Recorded return to:  
Conquest Mining LLC  
P.O. Box 1243  
Cottonwood, AZ, 86326

  
**FEE# 2019058825**

OFFICIAL RECORDS  
OF MOHAVE COUNTY  
KRISTI BLAIR,  
COUNTY RECORDER



10/28/2019 10:28 AM Fee: \$30.00

PAGE: 1 of 2

**LOCATION NOTICE FOR LODE MINING CLAIM**

Amendment      BLM Serial # \_\_\_\_\_

NOTICE IS HEREBY GIVEN that the **KM 4** lode mining claim has been located by **Conquest Mining LLC** whose current mailing address is  
**P.O. Box 1243**  
**Cottonwood, AZ, 86326**

The general course of this claim is **east-west** and it is situated in **Mohave County, Arizona**. This claim is **1500** feet in length and **600** feet in width.

**20.66** Total Claim Acreage. This claim runs from the location monument on which this location notice is posted on the centerline of the claim approximately **20** feet in a **east** direction to the **east** end line and **1480** feet in a **west** direction to the **west** end line. This claim is marked by six monuments one at each corner and one at the center of each end line of the claim.

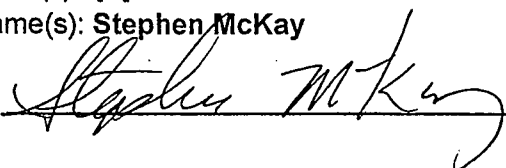
The location monument on which this notice is posted is situated within Section **23**, Township **11N**, Range **14W**, Gila and Salt River Base and Meridian, Arizona and this claim encompasses portions of the following quarter section(s), section(s), Township(s) and Range(s):  
**NW quarter of section 23 T11N R14W Gila and Salt River Base and Meridian, Arizona**

The locality of this claim with reference to some natural object or permanent monument and additional information (if any) concerning its locality are as follows: The **NE** corner of the claim is **3278** feet west and **3612** feet north from the **SE** corner of section **23 T11N R14W Gila and Salt River Base and Meridian, Arizona**.

The above information is shown on the attached map.

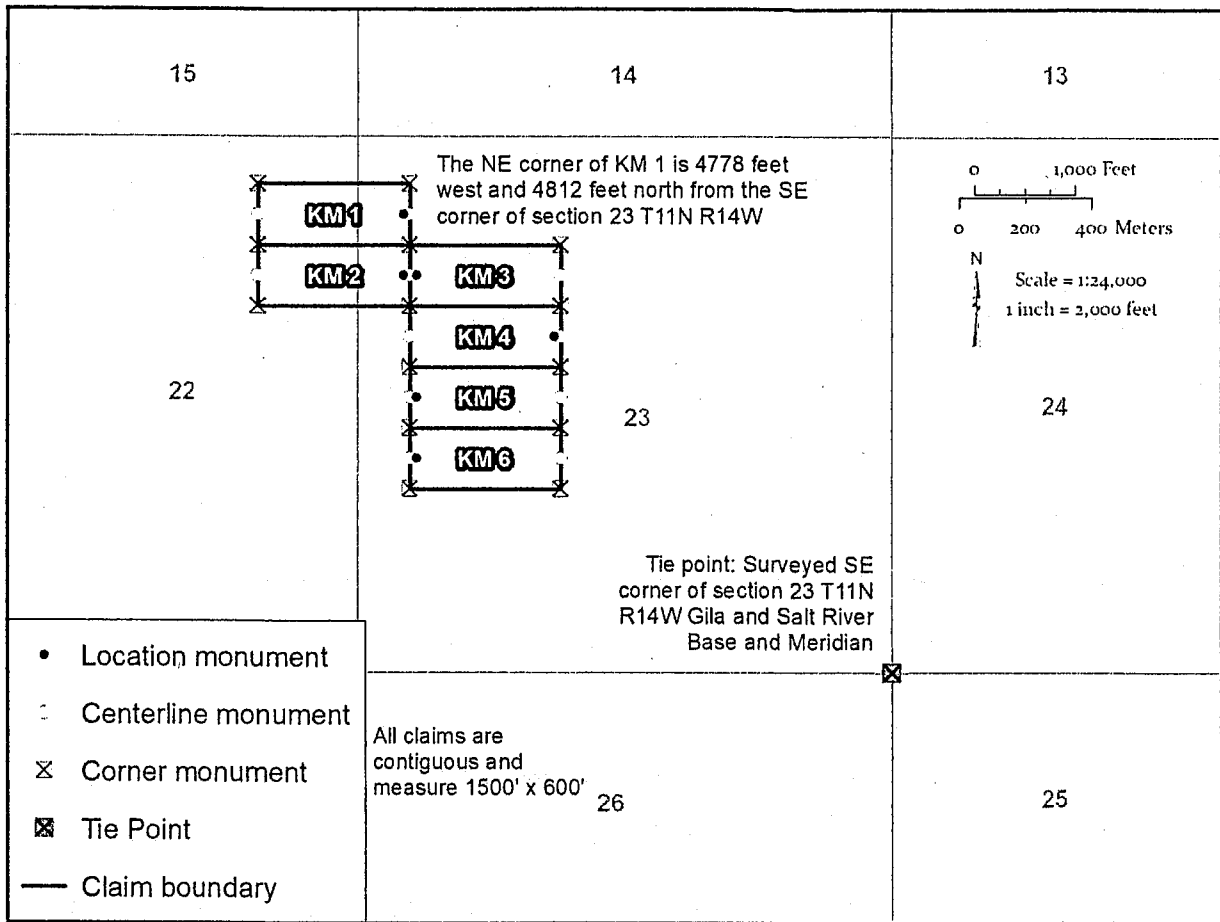
DATED AND POSTED on the ground this 26 day of **October 2019**.

LOCATOR(s)  AGENT  
Printed Name(s): **Stephen McKay**

Signature:  Date: 26 October 2019

RECEIVED  
BLM AZ STATE OFFICE  
2019 OCT 30 P 3:05  
PHOENIX, ARIZONA

AMC458061



ANCI58061

1. The above map depicts the **KM 4** mining claim, which is located in Section(s) **23** Township(s), **11N** Range(s) **14W**, Gila and Salt River Base and Meridian, **Mohave** County, Arizona. Total Acreage is **20.66**.
2. The type of corner and location monuments used are as follows: **2" X 2" X 60" wooden post**
3. The distances in feet between claim corners and to the public land survey monument are as depicted on the map.

RECEIVED  
 BLM AZ STATE OFFICE  
 2019 OCT 30 P 3:05  
 PHOENIX, ARIZONA

2

When Recorded return to:  
Conquest Mining LLC  
P.O. Box 1243  
Cottonwood, AZ, 86326

  
**FEE# 2019058826**

OFFICIAL RECORDS  
OF MOHAVE COUNTY  
KRISTI BLAIR,  
COUNTY RECORDER



10/28/2019 10:28 AM Fee: \$30.00

PAGE: 1 of 2

**LOCATION NOTICE FOR LODE MINING CLAIM**

Amendment      BLM Serial # \_\_\_\_\_

NOTICE IS HEREBY GIVEN that the **KM 5** lode mining claim has been located by **Conquest Mining LLC** whose current mailing address is  
**P.O. Box 1243**  
**Cottonwood, AZ, 86326**

The general course of this claim is **east-west** and it is situated in **Mohave County, Arizona**. This claim is **1500** feet in length and **600** feet in width.

**20.66** Total Claim Acreage. This claim runs from the location monument on which this location notice is posted on the centerline of the claim approximately **20** feet in a **west** direction to the **west** end line and **1480** feet in a **east** direction to the east end line. This claim is marked by six monuments one at each corner and one at the center of each end line of the claim.

The location monument on which this notice is posted is situated within Section **23**, Township **11N**, Range **14W**, Gila and Salt River Base and Meridian, Arizona and this claim encompasses portions of the following quarter section(s), section(s), Township(s) and Range(s):

**NW quarter of section 23 T11N R14W Gila and Salt River Base and Meridian, Arizona**  
**SW quarter of section 23 T11N R14W Gila and Salt River Base and Meridian, Arizona**

The locality of this claim with reference to some natural object or permanent monument and additional information (if any) concerning its locality are as follows: The **NE corner of the claim** is **3278** feet west and **3012** feet north from the **SE corner of section 23 T11N R14W Gila and Salt River Base and Meridian, Arizona**.

The above information is shown on the attached map.

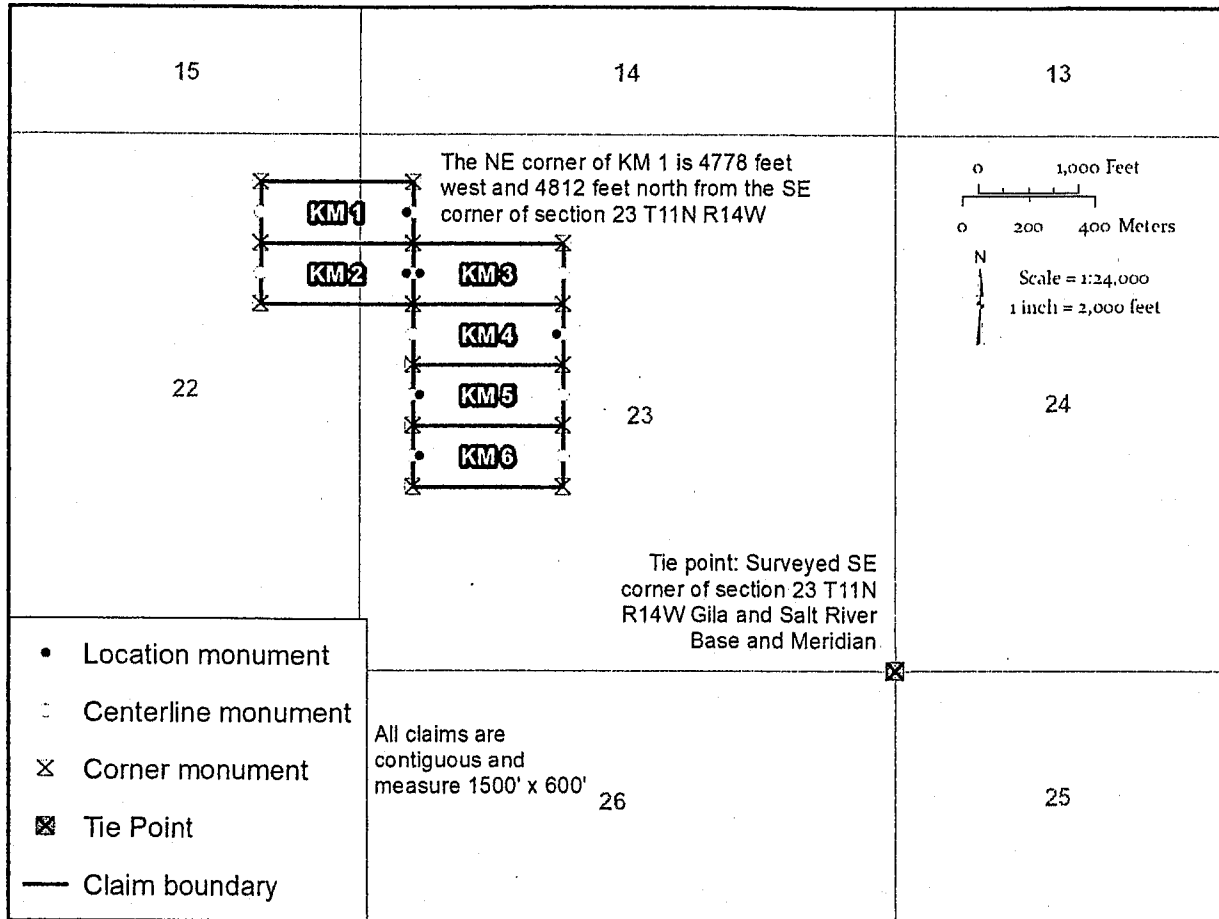
DATED AND POSTED on the ground this 26 day of **October 2019**.

[ ] LOCATOR(s) [X] AGENT  
Printed Name(s): **Stephen McKay**

Signature:  Date: 26 October 2019

RECEIVED  
BLM AZ STATE OFFICE  
2019 OCT 30 P 3:05  
PHOENIX, ARIZONA

AMC458062



AMC458062

1. The above map depicts the **KM 5** mining claim, which is located in Section(s) **23** Township(s), **11N** Range(s) **14W**, Gila and Salt River Base and Meridian, **Mohave** County, Arizona. Total Acreage is **20.66**.
2. The type of corner and location monuments used are as follows: **2" X 2" X 60" wooden post**
3. The distances in feet between claim corners and to the public land survey monument are as depicted on the map.

RECEIVED  
BLM AZ STATE OFFICE  
2019 OCT 30 P 3:05  
PHOENIX, ARIZONA

2

When Recorded return to:  
Conquest Mining LLC  
P.O. Box 1243  
Cottonwood, AZ, 86326

  
**FEE# 2019058827**

OFFICIAL RECORDS  
OF MOHAVE COUNTY  
KRISTI BLAIR,  
COUNTY RECORDER



10/28/2019 10:28 AM Fee: \$30.00

PAGE: 1 of 2

**LOCATION NOTICE FOR LODE MINING CLAIM**

Amendment      BLM Serial # \_\_\_\_\_

NOTICE IS HEREBY GIVEN that the **KM 6** lode mining claim has been located by **Conquest Mining LLC** whose current mailing address is  
**P.O. Box 1243**  
**Cottonwood, AZ, 86326**

The general course of this claim is **east-west** and it is situated in **Mohave County, Arizona**. This claim is **1500** feet in length and **600** feet in width.

**20.66** Total Claim Acreage. This claim runs from the location monument on which this location notice is posted on the centerline of the claim approximately **20** feet in a **west** direction to the **west** end line and **1480** feet in a **east** direction to the **east** end line. This claim is marked by six monuments one at each corner and one at the center of each end line of the claim.

The location monument on which this notice is posted is situated within Section **23**, Township **11N**, Range **14W**, Gila and Salt River Base and Meridian, Arizona and this claim encompasses portions of the following quarter section(s), section(s), Township(s) and Range(s):

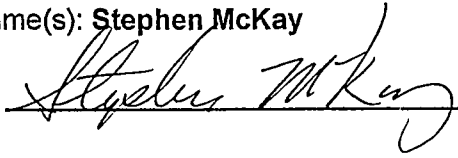
**SW quarter of section 23 T11N R14W Gila and Salt River Base and Meridian, Arizona**

The locality of this claim with reference to some natural object or permanent monument and additional information (if any) concerning its locality are as follows: The **NE** corner of the claim is **3278** feet west and **2412** feet north from the **SE** corner of section **23 T11N R14W Gila and Salt River Base and Meridian, Arizona**.

The above information is shown on the attached map.

DATED AND POSTED on the ground this 26 day of October 2019.

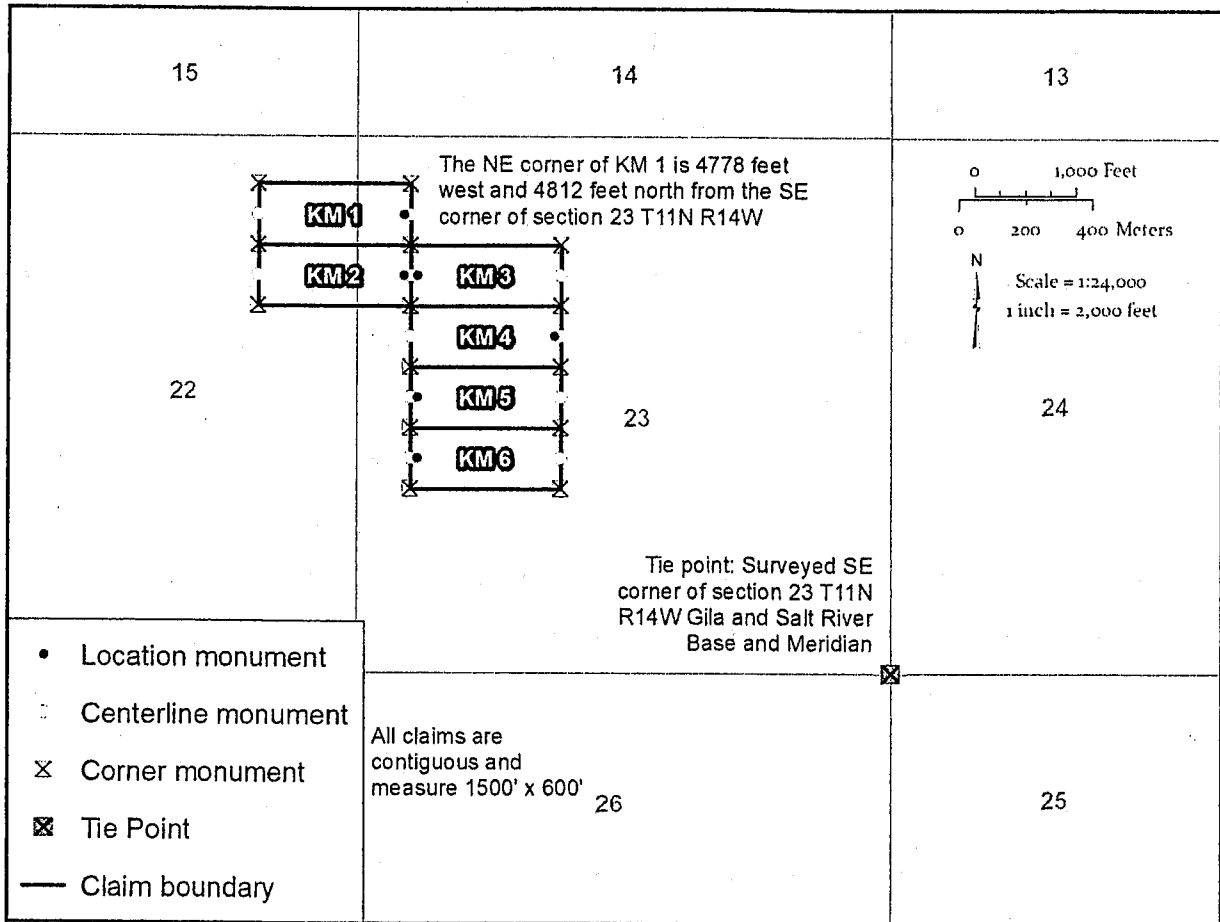
[ ] LOCATOR(s) [X] AGENT  
Printed Name(s): **Stephen McKay**

Signature:  Date: 26 October 2019

RECEIVED  
BLM AZ STATE OFFICE  
2019 OCT 30 P 3:05  
PHOENIX, ARIZONA

AMC458063





AMC458063

1. The above map depicts the **KM 6** mining claim, which is located in Section(s) **23** Township(s), **11N** Range(s) **14W**, Gila and Salt River Base and Meridian, **Mohave** County, Arizona. Total Acreage is **20.66**.
2. The type of corner and location monuments used are as follows: **2" X 2" X 60" wooden post**
3. The distances in feet between claim corners and to the public land survey monument are as depicted on the map.

RECEIVED  
 PLM AZ STATE OFFICE  
 2019 OCT 30 P 3:05  
 PHOENIX, ARIZONA

2

When Recorded return to:  
Conquest Mining LLC  
P.O. Box 1243  
Cottonwood, AZ, 86326

**FEE# 2019058828**

OFFICIAL RECORDS  
OF MOHAVE COUNTY  
KRISTI BLAIR,  
COUNTY RECORDER



10/28/2019 10:28 AM Fee: \$30.00

PAGE: 1 of 2

**LOCATION NOTICE FOR LODE MINING CLAIM**

Amendment      BLM Serial # \_\_\_\_\_

NOTICE IS HEREBY GIVEN that the **SM 1** lode mining claim has been located by **Conquest Mining LLC** whose current mailing address is  
**P.O. Box 1243**  
**Cottonwood, AZ, 86326**

The general course of this claim is **east-west** and it is situated in **Mohave County, Arizona**. This claim is **1500** feet in length and **600** feet in width.

**20.66** Total Claim Acreage. This claim runs from the location monument on which this location notice is posted on the centerline of the claim approximately **20** feet in a **east** direction to the **east** end line and **1480** feet in a **west** direction to the **west** end line. This claim is marked by six monuments one at each corner and one at the center of each end line of the claim.

The location monument on which this notice is posted is situated within Section **31**, Township **12N**, Range **14W**, Gila and Salt River Base and Meridian, Arizona and this claim encompasses portions of the following quarter section(s), section(s), Township(s) and Range(s):

**NW quarter of section 31 T12N R14W Gila and Salt River Base and Meridian, Arizona**

The locality of this claim with reference to some natural object or permanent monument and additional information (if any) concerning its locality are as follows: The **NE** corner of the claim is **3680** feet west and **3610** feet north from the **SE** corner of section **31 T 12N R 14W** Gila and Salt River Base and Meridian, Arizona.

The above information is shown on the attached map.

DATED AND POSTED on the ground this 23 day of **October** 2019.

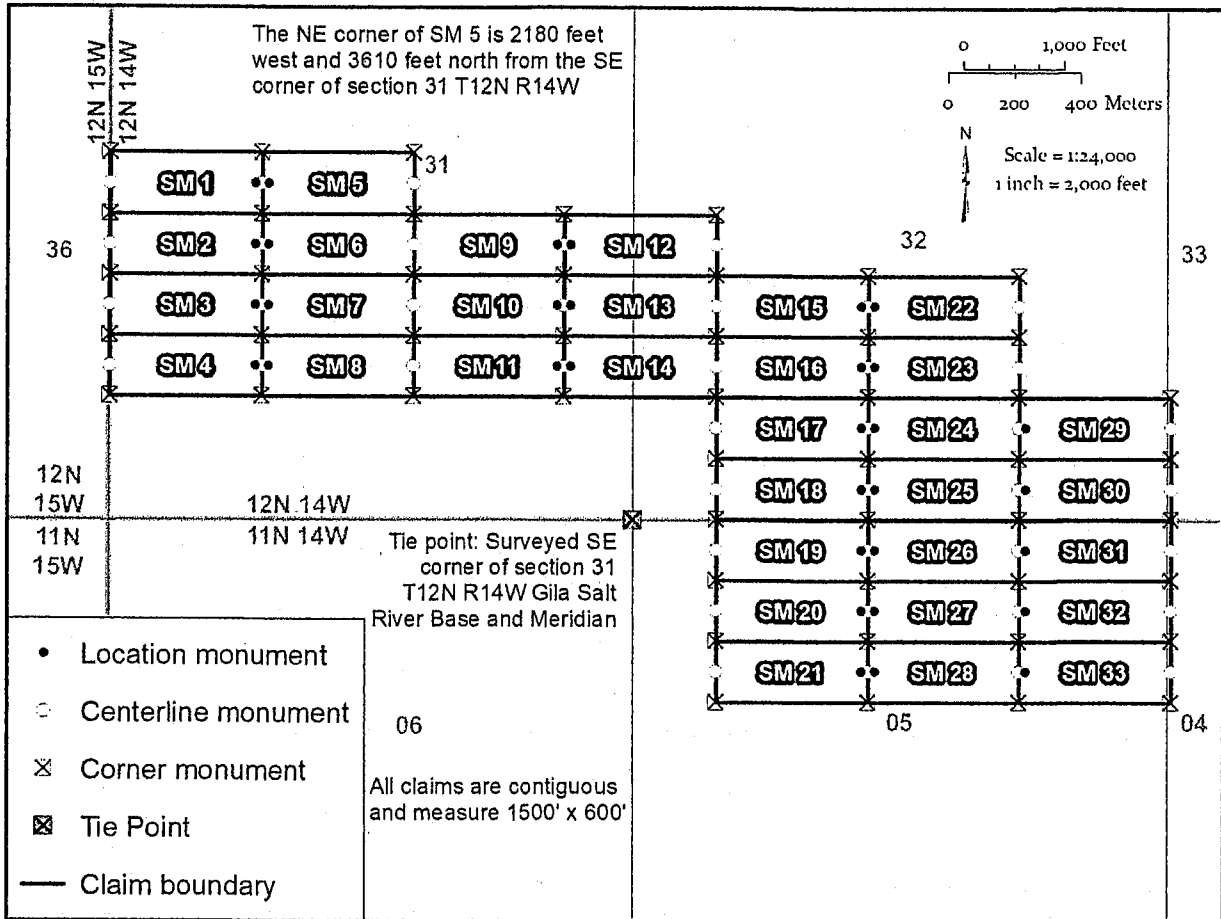
[ ] LOCATOR(s) [X] AGENT

Printed Name(s): **Stephen McKay**

Signature: *Stephen McKay* Date: 23 October 2019

RECEIVED  
BLM AZ STATE OFFICE  
2019 OCT 30 P 3:05  
PHOENIX, ARIZONA

AMC458064



ANCL58064

1. The above map depicts the **SM 1** mining claim, which is located in Section(s) **31** Township(s), **12N** Range(s) **14W**, Gila and Salt River Base and Meridian, **Mohave County, Arizona**. Total Acreage is **20.66**.
2. The type of corner and location monuments used are as follows: **2" X 2" X 60" wooden post**
3. The distances in feet between claim corners and to the public land survey monument are as depicted on the map.

RECEIVED  
 BLM AZ STATE OFFICE  
 2010 OCT 30 P 3:05  
 PHOENIX, ARIZONA

2

When Recorded return to:  
Conquest Mining LLC  
P.O. Box 1243  
Cottonwood, AZ, 86326

**FEE# 2019058829**

OFFICIAL RECORDS  
OF MOHAVE COUNTY  
KRISTI BLAIR,  
COUNTY RECORDER



10/28/2019 10:28 AM Fee: \$30.00

PAGE: 1 of 2

**LOCATION NOTICE FOR LODE MINING CLAIM**

Amendment      BLM Serial # \_\_\_\_\_

NOTICE IS HEREBY GIVEN that the **SM 2** lode mining claim has been located by **Conquest Mining LLC** whose current mailing address is  
**P.O. Box 1243**  
**Cottonwood, AZ, 86326**

The general course of this claim is **east-west** and it is situated in **Mohave County, Arizona**. This claim is **1500** feet in length and **600** feet in width.

**20.66** Total Claim Acreage. This claim runs from the location monument on which this location notice is posted on the centerline of the claim approximately **20** feet in a **east** direction to the **east** end line and **1480** feet in a **west** direction to the **west** end line. This claim is marked by six monuments one at each corner and one at the center of each end line of the claim.

The location monument on which this notice is posted is situated within Section **31**, Township **12N**, Range **14W**, Gila and Salt River Base and Meridian, Arizona and this claim encompasses portions of the following quarter section(s), section(s), Township(s) and Range(s):

**NW quarter of section 31 T12N R14W Gila and Salt River Base and Meridian, Arizona**  
**SW quarter of section 31 T12N R14W Gila and Salt River Base and Meridian, Arizona**

The locality of this claim with reference to some natural object or permanent monument and additional information (if any) concerning its locality are as follows: The **NE corner of the claim** is **3680** feet west and **3010** feet north from the **SE corner of section 31 T 12N R 14W Gila and Salt River Base and Meridian, Arizona**.

The above information is shown on the attached map.

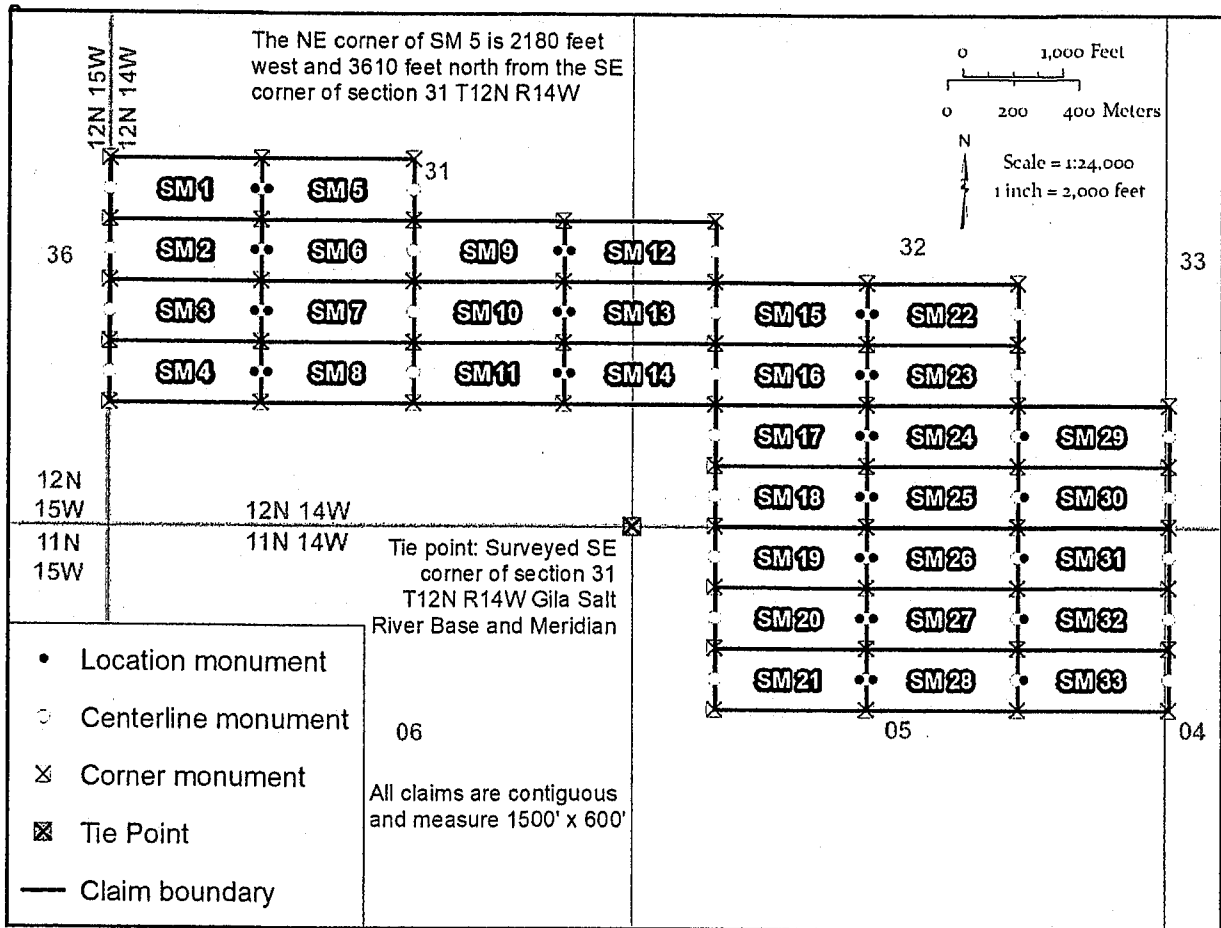
DATED AND POSTED on the ground this 23 day of **October 2019**.

[ ] LOCATOR(s) [X] AGENT  
Printed Name(s): **Stephen McKay**

Signature: *Stephen McKay* Date: 23 October 2019

RECEIVED  
BLM AZ STATE OFFICE  
2019 OCT 30 P 3:05  
PHOENIX, ARIZONA

AMC458065



AMC458065

1. The above map depicts the **SM 2** mining claim, which is located in Section(s) **31** Township(s), **12N** Range(s) **14W**, Gila and Salt River Base and Meridian, Mohave County, Arizona. Total Acreage is **20.66**.
2. The type of corner and location monuments used are as follows: **2" X 2" X 60"** wooden post
3. The distances in feet between claim corners and to the public land survey monument are as depicted on the map.

RECEIVED  
 BLM AZ STATE OFFICE  
 2019 OCT 30 P 3:05  
 PHOENIX, ARIZONA

2

When Recorded return to:  
Conquest Mining LLC  
P.O. Box 1243  
Cottonwood, AZ, 86326

  
**FEE# 2019058830**

OFFICIAL RECORDS  
OF MOHAVE COUNTY  
KRISTI BLAIR,  
COUNTY RECORDER



10/28/2019 10:28 AM Fee: \$30.00

PAGE: 1 of 2

**LOCATION NOTICE FOR LODE MINING CLAIM**

Amendment      BLM Serial # \_\_\_\_\_

NOTICE IS HEREBY GIVEN that the **SM 3** lode mining claim has been located by **Conquest Mining LLC** whose current mailing address is  
**P.O. Box 1243**  
**Cottonwood, AZ, 86326**

The general course of this claim is **east-west** and it is situated in **Mohave County, Arizona**. This claim is **1500** feet in length and **600** feet in width.

**20.66** Total Claim Acreage. This claim runs from the location monument on which this location notice is posted on the centerline of the claim approximately **20** feet in a **east** direction to the **east** end line and **1480** feet in a **west** direction to the **west** end line. This claim is marked by six monuments one at each corner and one at the center of each end line of the claim.

The location monument on which this notice is posted is situated within Section **31**, Township **12N**, Range **14W**, Gila and Salt River Base and Meridian, Arizona and this claim encompasses portions of the following quarter section(s), section(s), Township(s) and Range(s):

**SW quarter of section 31 T12N R14W Gila and Salt River Base and Meridian, Arizona**

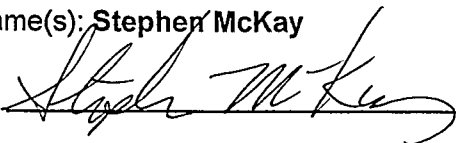
The locality of this claim with reference to some natural object or permanent monument and additional information (if any) concerning its locality are as follows: The **NE corner of the claim** is **3680** feet west and **2410** feet north from the **SE corner of section 31 T 12N R 14W Gila and Salt River Base and Meridian, Arizona**.

The above information is shown on the attached map.

DATED AND POSTED on the ground this 23 day of October 2019.

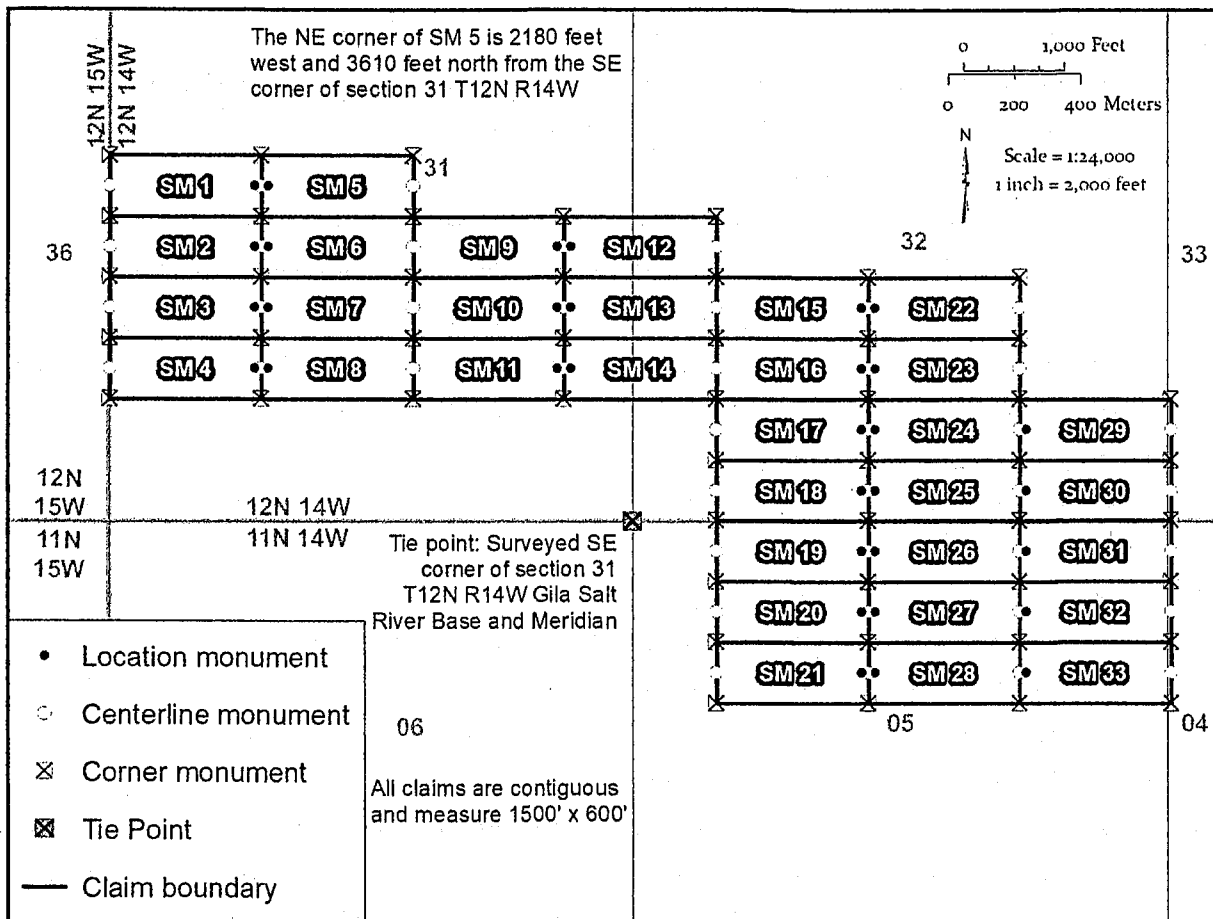
[ ] LOCATOR(s) [X] AGENT

Printed Name(s): **Stephen McKay**

Signature:  Date: 23 October 2019

RECEIVED  
BLM AZ STATE OFFICE  
2019 OCT 30 P 3:05  
PHOENIX, ARIZONA

AHC458066



AMC458066

1. The above map depicts the **SM 3** mining claim, which is located in Section(s) **31** Township(s), **12N** Range(s) **14W**, Gila and Salt River Base and Meridian, Mohave County, Arizona. Total Acreage is **20.66**.
2. The type of corner and location monuments used are as follows: **2" X 2" X 60"** wooden post
3. The distances in feet between claim corners and to the public land survey monument are as depicted on the map.

RECEIVED  
 BLM AZ STATE OFFICE  
 2019 OCT 30 P 3:05  
 PHOENIX, ARIZONA

2

When Recorded return to:  
Conquest Mining LLC  
P.O. Box 1243  
Cottonwood, AZ, 86326

  
**FEE# 2019058831**

OFFICIAL RECORDS  
OF MOHAVE COUNTY  
KRISTI BLAIR,  
COUNTY RECORDER



10/28/2019 10:28 AM Fee: \$30.00

PAGE: 1 of 2

**LOCATION NOTICE FOR LODE MINING CLAIM**

Amendment      BLM Serial # \_\_\_\_\_

NOTICE IS HEREBY GIVEN that the **SM 4** lode mining claim has been located by **Conquest Mining LLC** whose current mailing address is  
**P.O. Box 1243**  
**Cottonwood, AZ, 86326**

The general course of this claim is **east-west** and it is situated in **Mohave County, Arizona**. This claim is **1500** feet in length and **600** feet in width.

**20.66** Total Claim Acreage. This claim runs from the location monument on which this location notice is posted on the centerline of the claim approximately **20** feet in a **east** direction to the east end line and **1480** feet in a **west** direction to the west end line. This claim is marked by six monuments one at each corner and one at the center of each end line of the claim.

The location monument on which this notice is posted is situated within Section **31**, Township **12N**, Range **14W**, Gila and Salt River Base and Meridian, Arizona and this claim encompasses portions of the following quarter section(s), section(s), Township(s) and Range(s):

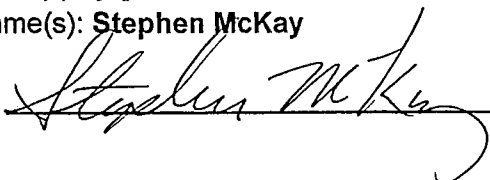
**SW quarter of section 31 T12N R14W Gila and Salt River Base and Meridian, Arizona**

The locality of this claim with reference to some natural object or permanent monument and additional information (if any) concerning its locality are as follows: The **NE corner of the claim is 3680 feet west and 1810 feet north from the SE corner of section 31 T 12N R 14W Gila and Salt River Base and Meridian, Arizona.**

The above information is shown on the attached map.

DATED AND POSTED on the ground this 23 day of **October 2019**.

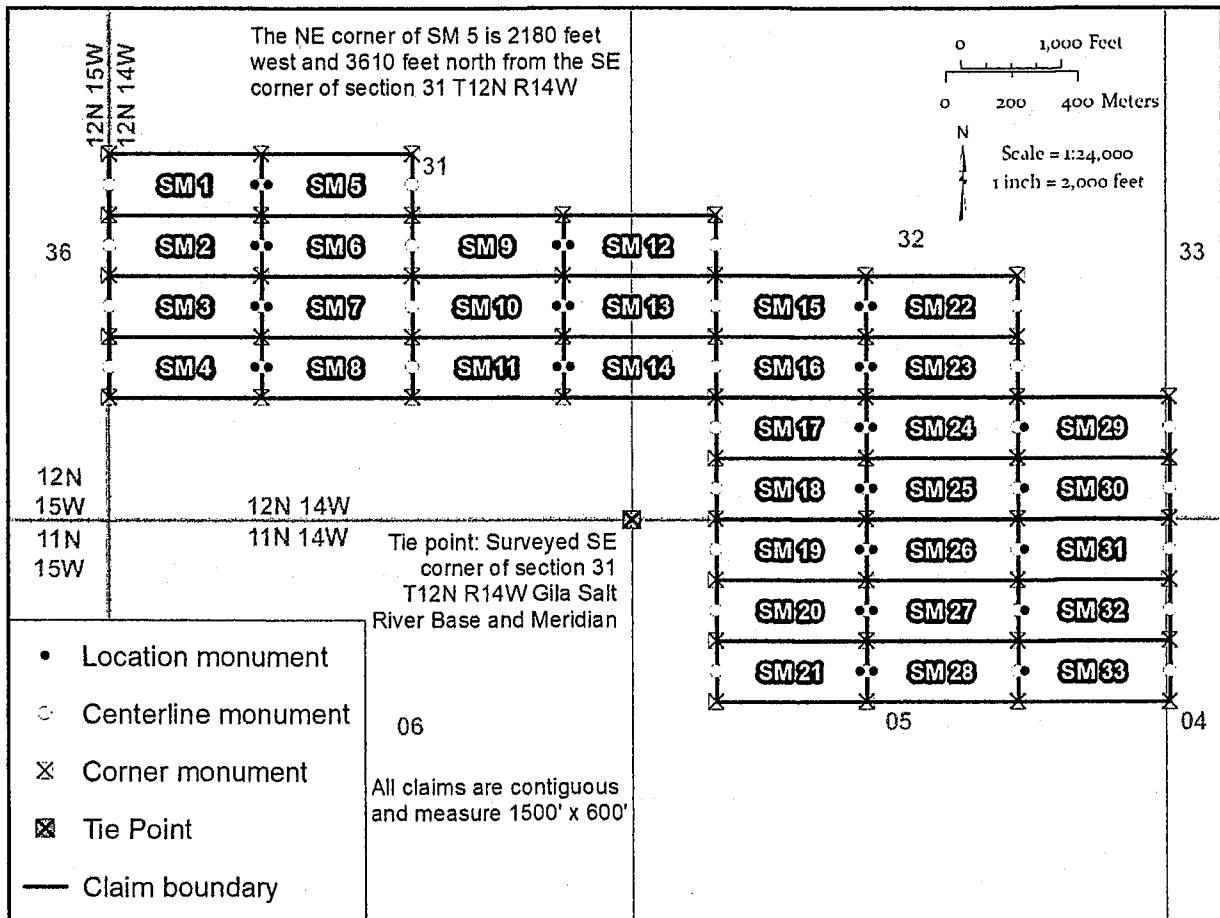
[ ] LOCATOR(s) [X] AGENT  
Printed Name(s): **Stephen McKay**

Signature:  Date: 23 October 2019

RECEIVED  
BLM AZ STATE OFFICE  
2019 OCT 30 P 3:05  
PHOENIX, ARIZONA

AMC458067





AMC458067

1. The above map depicts the **SM 4** mining claim, which is located in Section(s) **31** Township(s), **12N** Range(s) **14W**, Gila and Salt River Base and Meridian, **Mohave** County, Arizona. Total Acreage is **20.66**.
2. The type of corner and location monuments used are as follows: **2" X 2" X 60"** wooden post
3. The distances in feet between claim corners and to the public land survey monument are as depicted on the map.

RECEIVED  
 BLM AT STATE OFFICE  
 2019 OCT 30 P 3:00  
 PHOENIX, ARIZONA

2

When Recorded return to:  
Conquest Mining LLC  
P.O. Box 1243  
Cottonwood, AZ, 86326

  
**FEE# 2019058832**

OFFICIAL RECORDS  
OF MOHAVE COUNTY  
KRISTI BLAIR,  
COUNTY RECORDER



10/28/2019 10:28 AM Fee: \$30.00

PAGE: 1 of 2

**LOCATION NOTICE FOR LODE MINING CLAIM**

Amendment      BLM Serial # \_\_\_\_\_

NOTICE IS HEREBY GIVEN that the **SM 5** lode mining claim has been located by **Conquest Mining LLC** whose current mailing address is  
**P.O. Box 1243**  
**Cottonwood, AZ, 86326**

The general course of this claim is **east-west** and it is situated in **Mohave County, Arizona**. This claim is **1500** feet in length and **600** feet in width.

**20.66** Total Claim Acreage. This claim runs from the location monument on which this location notice is posted on the centerline of the claim approximately **20** feet in a **west** direction to the **west** end line and **1480** feet in a **east** direction to the **east** end line. This claim is marked by six monuments one at each corner and one at the center of each end line of the claim.

The location monument on which this notice is posted is situated within Section **31**, Township **12N**, Range **14W**, Gila and Salt River Base and Meridian, Arizona and this claim encompasses portions of the following quarter section(s), section(s), Township(s) and Range(s):

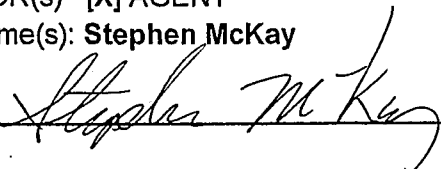
**NW quarter of section 31 T12N R14W Gila and Salt River Base and Meridian, Arizona**  
**NE quarter of section 31 T12N R14W Gila and Salt River Base and Meridian, Arizona**

The locality of this claim with reference to some natural object or permanent monument and additional information (if any) concerning its locality are as follows: The **NE corner of the claim** is **2180** feet west and **3610** feet north from the **SE corner of section 31 T 12N R 14W Gila and Salt River Base and Meridian, Arizona**.

The above information is shown on the attached map.

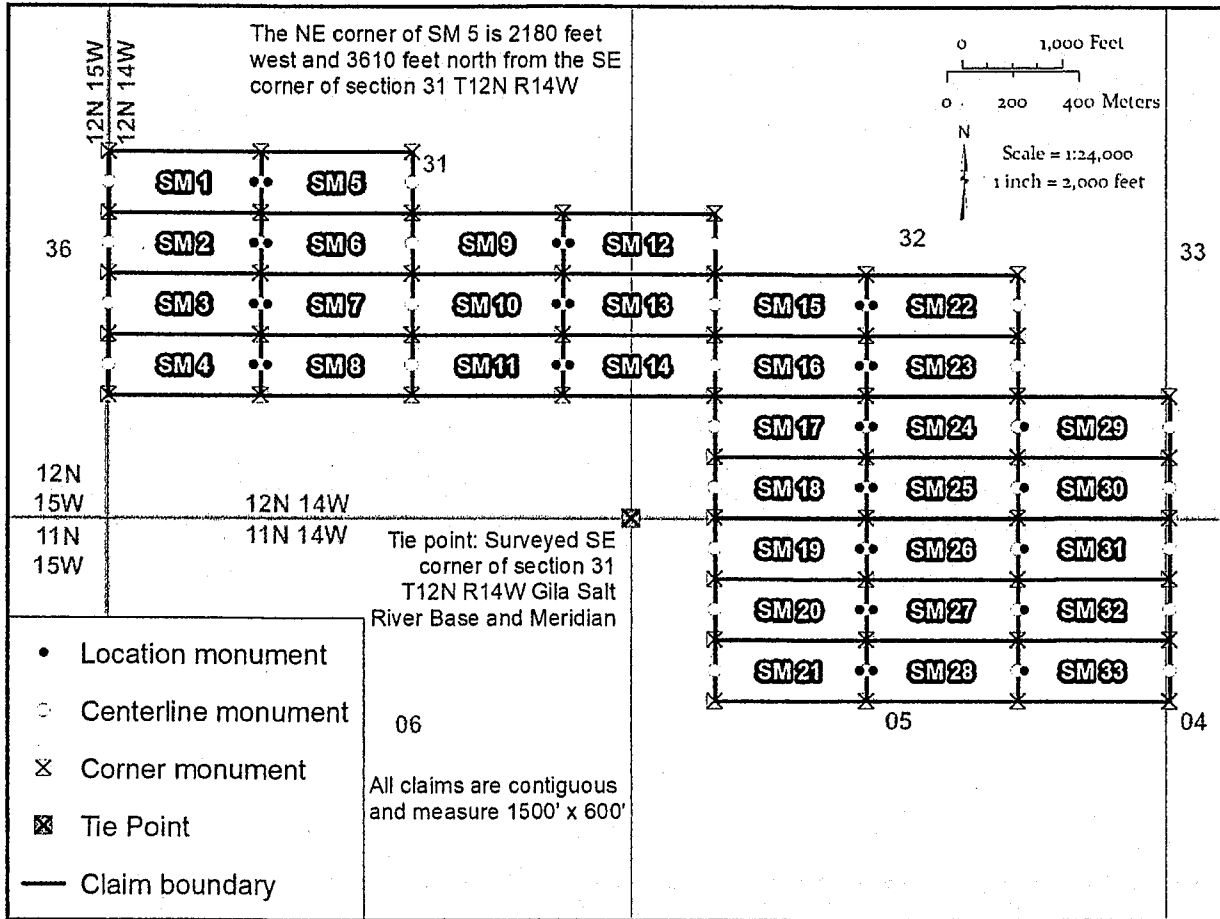
DATED AND POSTED on the ground this 23 day of **October 2019**.

[ ] LOCATOR(s) [X] AGENT  
Printed Name(s): **Stephen McKay**

Signature:  Date: 23 October 2019

RECEIVED  
BLM AZ STATE OFFICE  
2019 OCT 30 P 3:06  
PHOENIX, ARIZONA

AMC458068



AMC458068

1. The above map depicts the **SM 5** mining claim, which is located in Section(s) **31** Township(s), **12N** Range(s) **14W**, Gila and Salt River Base and Meridian, **Mohave** County, Arizona. Total Acreage is **20.66**.
2. The type of corner and location monuments used are as follows: **2" X 2" X 60"** wooden post
3. The distances in feet between claim corners and to the public land survey monument are as depicted on the map.

RECEIVED  
 BLM AZ STATE OFFICE  
 2019 OCT 30 P 3:06  
 PHOENIX, ARIZONA

2

When Recorded return to:  
Conquest Mining LLC  
P.O. Box 1243  
Cottonwood, AZ, 86326

**FEE# 2019058833**

OFFICIAL RECORDS  
OF MOHAVE COUNTY  
KRISTI BLAIR,  
COUNTY RECORDER



10/28/2019 10:28 AM Fee: \$30.00  
PAGE: 1 of 2

**LOCATION NOTICE FOR LODE MINING CLAIM**

Amendment      BLM Serial # \_\_\_\_\_

NOTICE IS HEREBY GIVEN that the **SM 6** lode mining claim has been located by **Conquest Mining LLC** whose current mailing address is  
**P.O. Box 1243  
Cottonwood, AZ, 86326**

The general course of this claim is **east-west** and it is situated in **Mohave County, Arizona**. This claim is **1500** feet in length and **600** feet in width.

**20.66** Total Claim Acreage. This claim runs from the location monument on which this location notice is posted on the centerline of the claim approximately **20** feet in a **west** direction to the **west** end line and **1480** feet in a **east** direction to the **east** end line. This claim is marked by six monuments one at each corner and one at the center of each end line of the claim.

The location monument on which this notice is posted is situated within Section **31**, Township **12N**, Range **14W**, Gila and Salt River Base and Meridian, Arizona and this claim encompasses portions of the following quarter section(s), section(s), Township(s) and Range(s):

- NW quarter of section 31 T12N R14W Gila and Salt River Base and Meridian, Arizona**
- NE quarter of section 31 T12N R14W Gila and Salt River Base and Meridian, Arizona**
- SE quarter of section 31 T12N R14W Gila and Salt River Base and Meridian, Arizona**
- SW quarter of section 31 T12N R14W Gila and Salt River Base and Meridian, Arizona**

The locality of this claim with reference to some natural object or permanent monument and additional information (if any) concerning its locality are as follows: The **NE corner of the claim** is **2180** feet west and **3010** feet north from the **SE corner of section 31 T 12N R 14W Gila and Salt River Base and Meridian, Arizona**.

The above information is shown on the attached map.

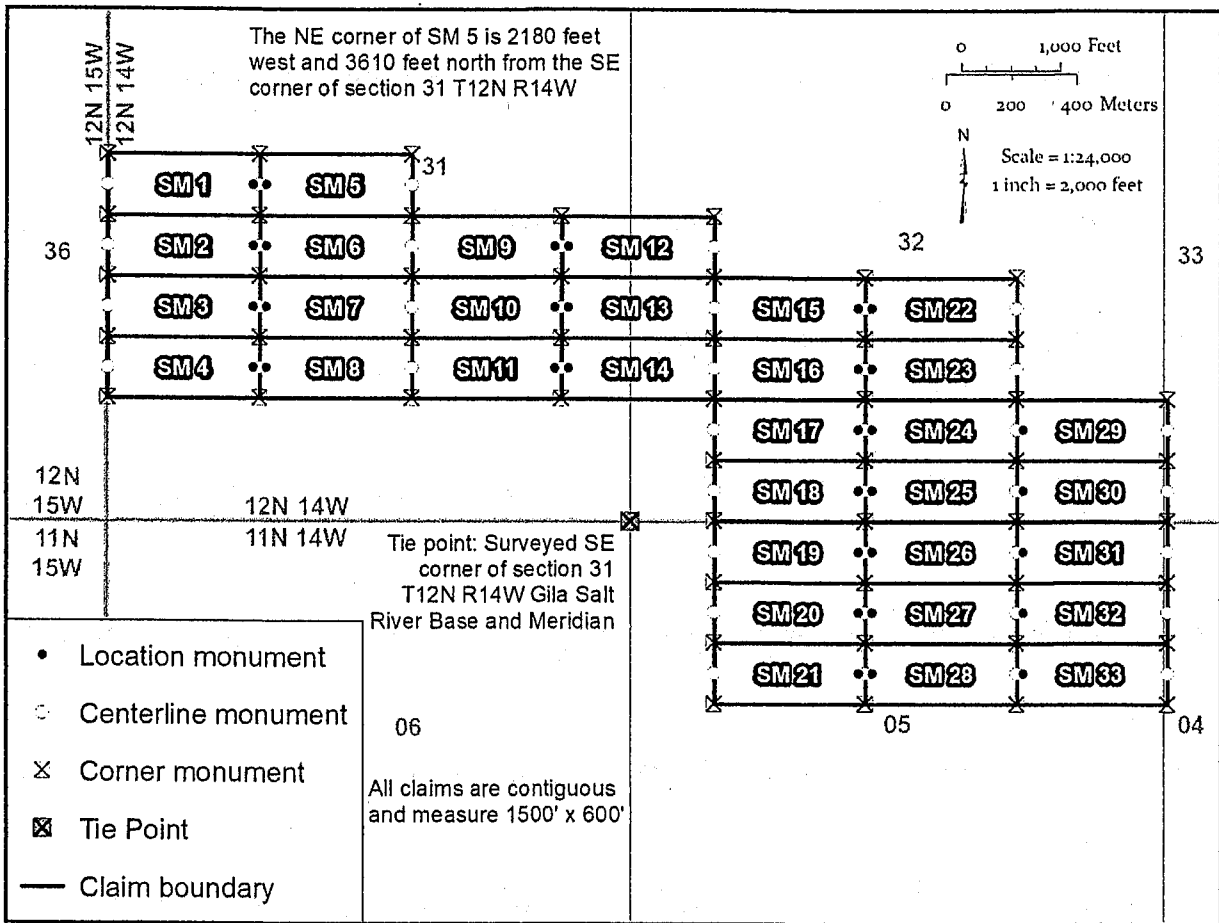
DATED AND POSTED on the ground this 23 day of October 2019.

[ ] LOCATOR(s) [X] AGENT  
Printed Name(s): **Stephen McKay**

Signature: *Stephen McKay* Date: 23 October 2019

RECEIVED  
BLM AZ STATE OFFICE  
2019 OCT 30 P 3:06  
PHOENIX, ARIZONA

AMC458069



AMC 458069

1. The above map depicts the **SM 6** mining claim, which is located in Section(s) **31** Township(s), **12N** Range(s) **14W**, Gila and Salt River Base and Meridian, **Mohave** County, Arizona. Total Acreage is **20.66**.
2. The type of corner and location monuments used are as follows: **2" X 2" X 60" wooden post**
3. The distances in feet between claim corners and to the public land survey monument are as depicted on the map.

RECEIVED  
 DLM AZ STATE OFFICE  
 2019 OCT 30 P 3:06  
 PHOENIX, ARIZONA

2

When Recorded return to:  
Conquest Mining LLC  
P.O. Box 1243  
Cottonwood, AZ, 86326

**FEE# 2019058834**

OFFICIAL RECORDS  
OF MOHAVE COUNTY  
KRISTI BLAIR,  
COUNTY RECORDER



10/28/2019 10:28 AM Fee: \$30.00

PAGE: 1 of 2

**LOCATION NOTICE FOR LODE MINING CLAIM**

Amendment      BLM Serial # \_\_\_\_\_

NOTICE IS HEREBY GIVEN that the **SM 7** lode mining claim has been located by **Conquest Mining LLC** whose current mailing address is  
**P.O. Box 1243**  
**Cottonwood, AZ, 86326**

The general course of this claim is **east-west** and it is situated in **Mohave County, Arizona**. This claim is **1500** feet in length and **600** feet in width.

**20.66** Total Claim Acreage. This claim runs from the location monument on which this location notice is posted on the centerline of the claim approximately **20** feet in a **west** direction to the **west** end line and **1480** feet in a **east** direction to the **east** end line. This claim is marked by six monuments one at each corner and one at the center of each end line of the claim.

The location monument on which this notice is posted is situated within Section **31**, Township **12N**, Range **14W**, Gila and Salt River Base and Meridian, Arizona and this claim encompasses portions of the following quarter section(s), section(s), Township(s) and Range(s):

**SW quarter of section 31 T12N R14W Gila and Salt River Base and Meridian, Arizona**  
**SE quarter of section 31 T12N R14W Gila and Salt River Base and Meridian, Arizona**

The locality of this claim with reference to some natural object or permanent monument and additional information (if any) concerning its locality are as follows: The **NE corner of the claim** is **2180** feet west and **2410** feet north from the **SE corner of section 31 T 12N R 14W Gila and Salt River Base and Meridian, Arizona**.

The above information is shown on the attached map.

DATED AND POSTED on the ground this 23 day of October 2019.

[ ] LOCATOR(s) [X] AGENT  
Printed Name(s): **Stephen McKay**

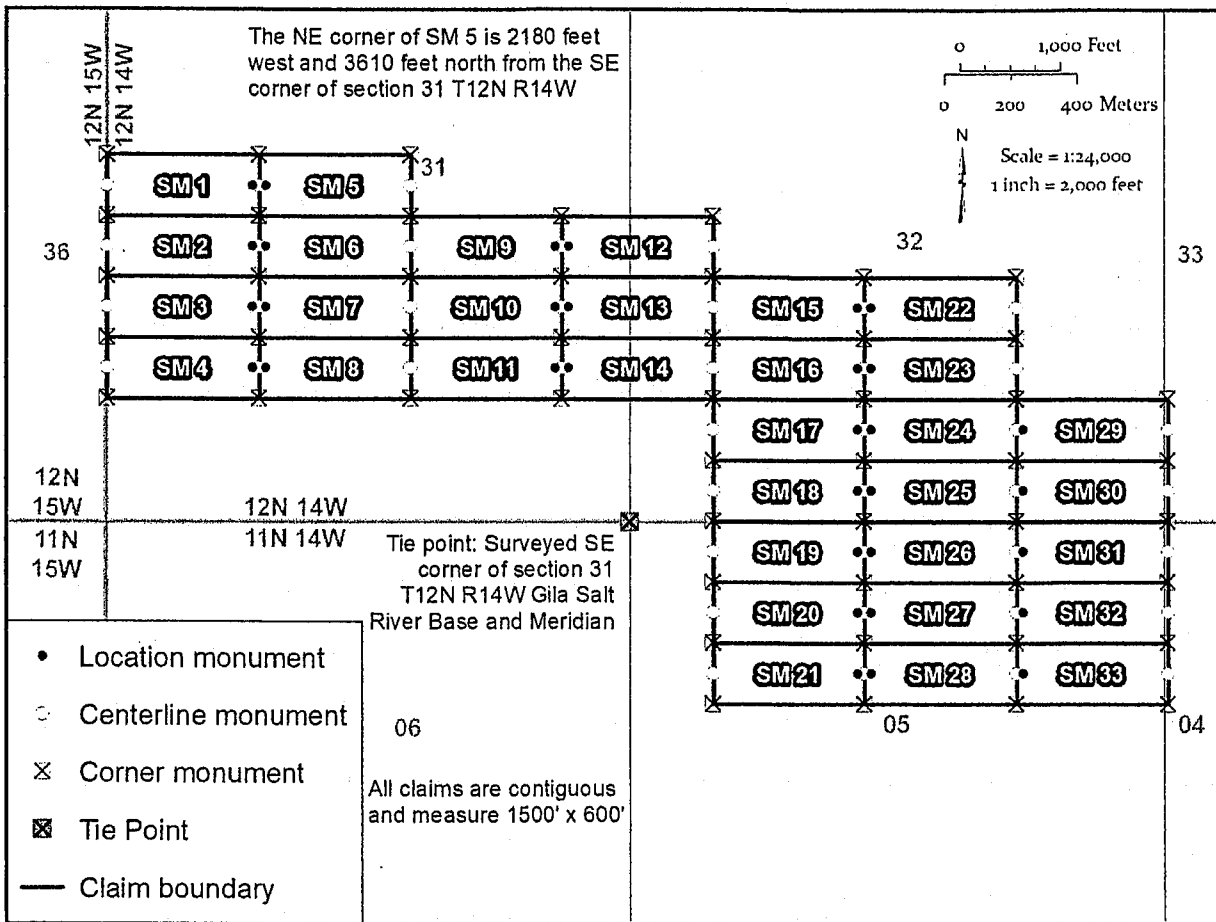
Signature: *Stephen McKay* Date: 23 October 2019

PHOENIX, ARIZONA

2019 OCT 30 P 3:06

RECEIVED  
BLM AZ STATE OFFICE

ANC458070



AHC458070

1. The above map depicts the **SM 7** mining claim, which is located in Section(s) **31** Township(s), **12N** Range(s) **14W**, Gila and Salt River Base and Meridian, **Mohave County, Arizona**. Total Acreage is **20.66**.
2. The type of corner and location monuments used are as follows: **2" X 2" X 60" wooden post**
3. The distances in feet between claim corners and to the public land survey monument are as depicted on the map.

RECEIVED  
 BLM AZ STATE OFFICE  
 2019 OCT 30 P 3:06  
 PHOENIX, ARIZONA

2

When Recorded return to:  
Conquest Mining LLC  
P.O. Box 1243  
Cottonwood, AZ, 86326

  
**FEE# 2019058835**

OFFICIAL RECORDS  
OF MOHAVE COUNTY  
KRISTI BLAIR,  
COUNTY RECORDER



10/28/2019 10:28 AM Fee: \$30.00

PAGE: 1 of 2

**LOCATION NOTICE FOR LODE MINING CLAIM**

Amendment      BLM Serial # \_\_\_\_\_

NOTICE IS HEREBY GIVEN that the **SM 8** lode mining claim has been located by **Conquest Mining LLC** whose current mailing address is  
**P.O. Box 1243**  
**Cottonwood, AZ, 86326**

The general course of this claim is **east-west** and it is situated in **Mohave County, Arizona**. This claim is **1500** feet in length and **600** feet in width.

**20.66** Total Claim Acreage. This claim runs from the location monument on which this location notice is posted on the centerline of the claim approximately **20** feet in a **west** direction to the **west** end line and **1480** feet in a **east** direction to the **east** end line. This claim is marked by six monuments one at each corner and one at the center of each end line of the claim.

The location monument on which this notice is posted is situated within Section **31**, Township **12N**, Range **14W**, Gila and Salt River Base and Meridian, Arizona and this claim encompasses portions of the following quarter section(s), section(s), Township(s) and Range(s):

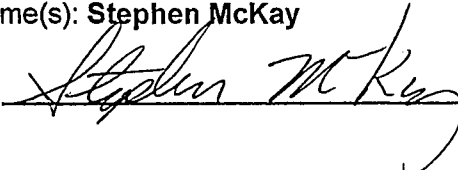
**SW quarter of section 31 T12N R14W Gila and Salt River Base and Meridian, Arizona**  
**SE quarter of section 31 T12N R14W Gila and Salt River Base and Meridian, Arizona**

The locality of this claim with reference to some natural object or permanent monument and additional information (if any) concerning its locality are as follows: The **NE corner of the claim** is **2180 feet west** and **1810 feet north** from the **SE corner of section 31 T 12N R 14W Gila and Salt River Base and Meridian, Arizona**.

The above information is shown on the attached map.

DATED AND POSTED on the ground this 23 day of **October 2019**.

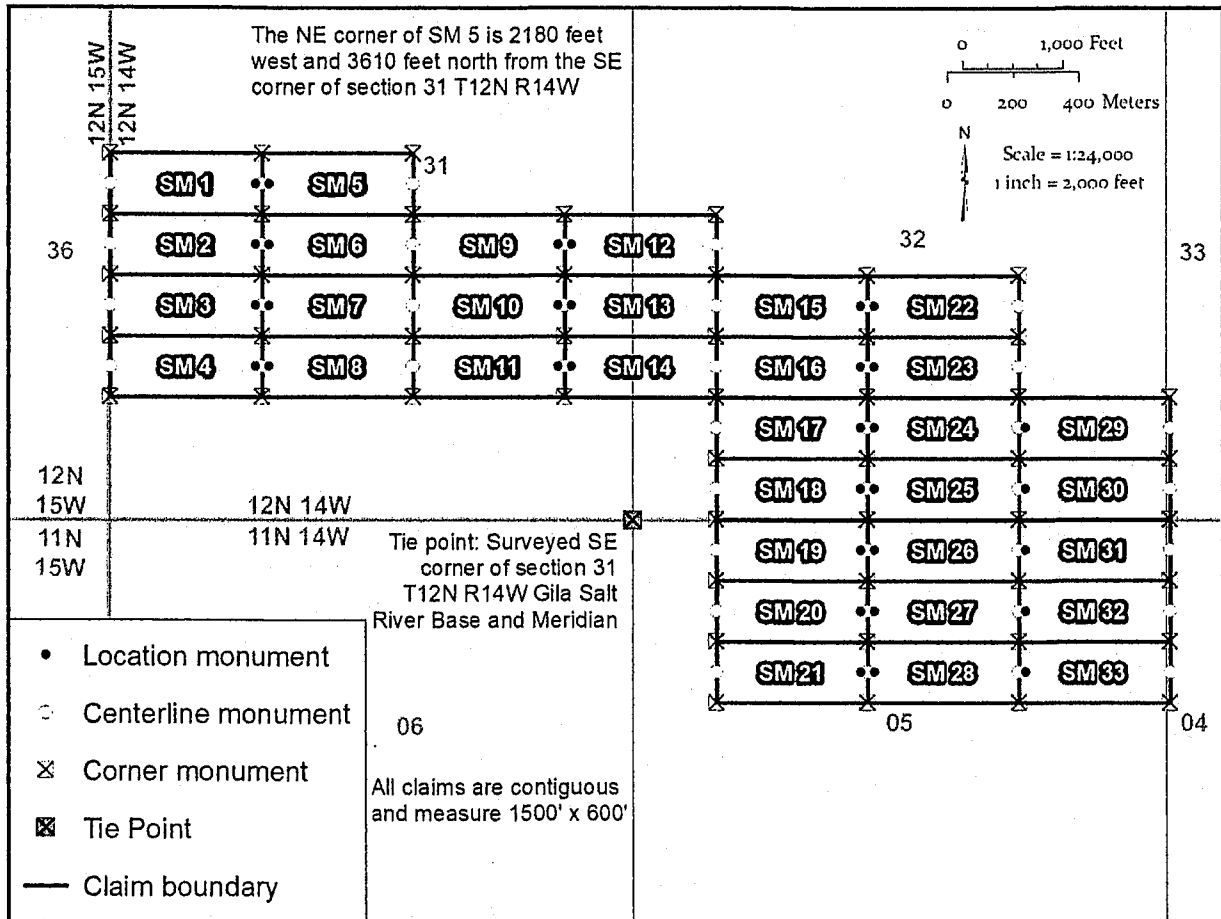
LOCATOR(s)    AGENT  
Printed Name(s): **Stephen McKay**

Signature:       Date: 23 October 2019

RECEIVED  
BLM AZ STATE OFFICE  
2019 OCT 30 P 3:06  
PHOENIX, ARIZONA

AMC458071





ANCU58071

1. The above map depicts the **SM 8** mining claim, which is located in Section(s) **31** Township(s), **12N** Range(s) **14W**, Gila and Salt River Base and Meridian, **Mohave County, Arizona**. Total Acreage is **20.66**.
2. The type of corner and location monuments used are as follows: **2" X 2" X 60"** wooden post
3. The distances in feet between claim corners and to the public land survey monument are as depicted on the map.

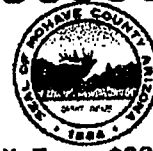
RECEIVED  
 BLM AZ STATE OFFICE  
 2019 OCT 30 P 3:06  
 PHOENIX, ARIZONA

2

When Recorded return to:  
Conquest Mining LLC  
P.O. Box 1243  
Cottonwood, AZ, 86326

**FEE# 2019058836**

OFFICIAL RECORDS  
OF MOHAVE COUNTY  
KRISTI BLAIR,  
COUNTY RECORDER



10/28/2019 10:28 AM Fee: \$30.00

PAGE: 1 of 2

**LOCATION NOTICE FOR LODE MINING CLAIM**

Amendment      BLM Serial # \_\_\_\_\_

NOTICE IS HEREBY GIVEN that the **SM 9** lode mining claim has been located by **Conquest Mining LLC** whose current mailing address is  
**P.O. Box 1243**  
**Cottonwood, AZ, 86326**

The general course of this claim is **east-west** and it is situated in **Mohave County, Arizona**. This claim is **1500** feet in length and **600** feet in width.

**20.66** Total Claim Acreage. This claim runs from the location monument on which this location notice is posted on the centerline of the claim approximately **20** feet in a **east** direction to the **east** end line and **1480** feet in a **west** direction to the **west** end line. This claim is marked by six monuments one at each corner and one at the center of each end line of the claim.

The location monument on which this notice is posted is situated within **Section 31, Township 12N, Range 14W, Gila and Salt River Base and Meridian, Arizona** and this claim encompasses portions of the following quarter section(s), section(s), Township(s) and Range(s):

**NE quarter of section 31 T12N R14W Gila and Salt River Base and Meridian, Arizona**  
**SE quarter of section 31 T12N R14W Gila and Salt River Base and Meridian, Arizona**

The locality of this claim with reference to some natural object or permanent monument and additional information (if any) concerning its locality are as follows: The **NE corner of the claim is 680 feet west and 3010 feet north from the SE corner of section 31 T 12N R 14W Gila and Salt River Base and Meridian, Arizona.**

The above information is shown on the attached map.

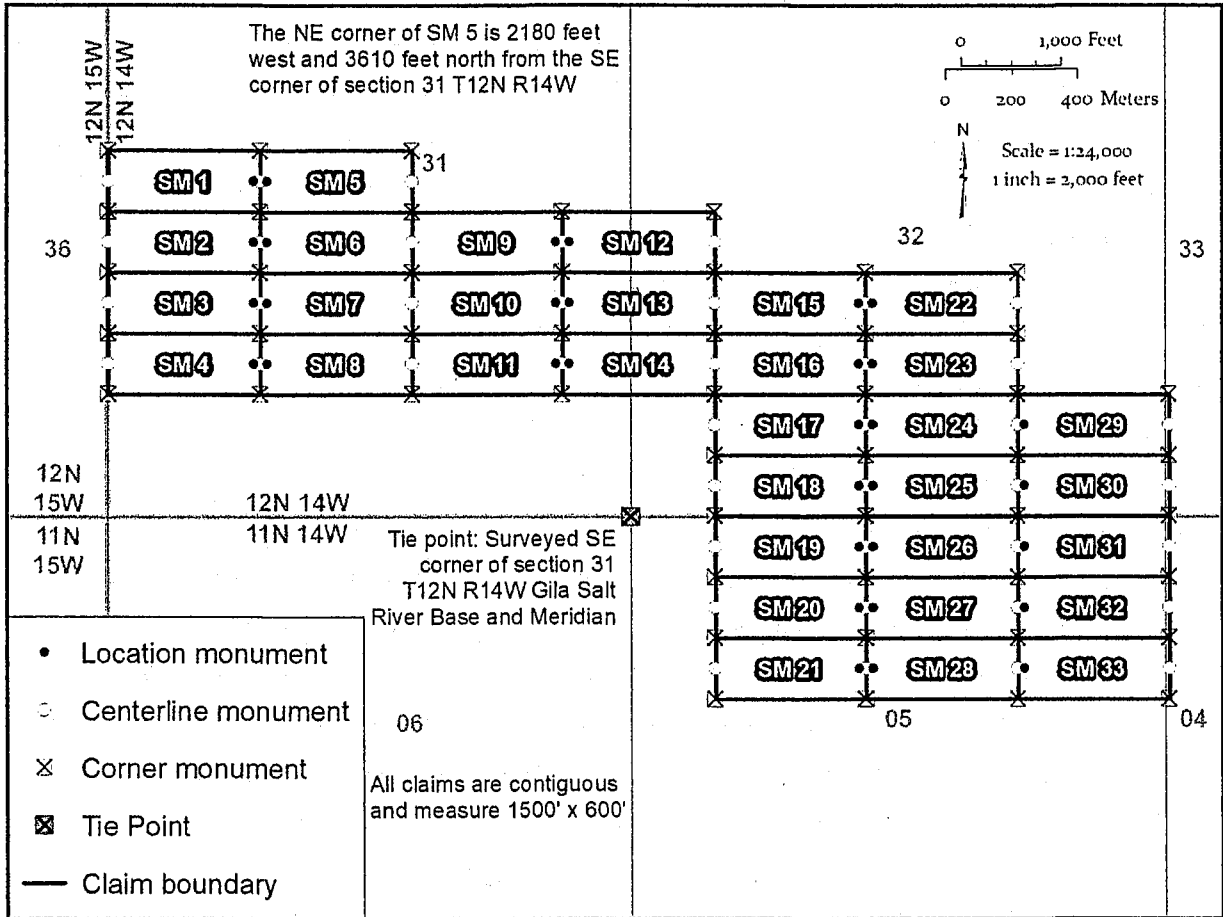
DATED AND POSTED on the ground this 23 day of **October 2019**.

[ ] LOCATOR(s) [X] AGENT  
Printed Name(s): **Stephen McKay**

Signature: *Stephen McKay* Date: 23 October 2019

RECEIVED  
BLM AZ STATE OFFICE  
2019 OCT 30 P 3:06  
PHOENIX, ARIZONA

AMC458072



AMC458072

1. The above map depicts the **SM 9** mining claim, which is located in Section(s) **32** Township(s), **12N** Range(s) **14W**, Gila and Salt River Base and Meridian, **Mohave** County, Arizona. Total Acreage is **20.66**.
2. The type of corner and location monuments used are as follows: **2" X 2" X 60" wooden post**
3. The distances in feet between claim corners and to the public land survey monument are as depicted on the map.

RECEIVED  
 BLM AZ STATE OFFICE  
 2019 OCT 30 P 3:06  
 PHOENIX, ARIZONA

2

When Recorded return to:  
Conquest Mining LLC  
P.O. Box 1243  
Cottonwood, AZ, 86326

**FEE# 2019058837**

OFFICIAL RECORDS  
OF MOHAVE COUNTY  
KRISTI BLAIR,  
COUNTY RECORDER



10/28/2019 10:28 AM Fee: \$30.00

PAGE: 1 of 2

**LOCATION NOTICE FOR LODE MINING CLAIM**

Amendment      BLM Serial # \_\_\_\_\_

NOTICE IS HEREBY GIVEN that the **SM 10** lode mining claim has been located by **Conquest Mining LLC** whose current mailing address is  
**P.O. Box 1243  
Cottonwood, AZ, 86326**

The general course of this claim is **east-west** and it is situated in **Mohave County, Arizona**. This claim is **1500** feet in length and **600** feet in width.

**20.66** Total Claim Acreage. This claim runs from the location monument on which this location notice is posted on the centerline of the claim approximately **20** feet in a **east** direction to the **east** end line and **1480** feet in a **west** direction to the **west** end line. This claim is marked by six monuments one at each corner and one at the center of each end line of the claim.

The location monument on which this notice is posted is situated within Section **31**, Township **12N**, Range **14W**, Gila and Salt River Base and Meridian, Arizona and this claim encompasses portions of the following quarter section(s), section(s), Township(s) and Range(s):

**SE quarter of section 31 T12N R14W Gila and Salt River Base and Meridian, Arizona**

The locality of this claim with reference to some natural object or permanent monument and additional information (if any) concerning its locality are as follows: The **NE corner of the claim is 680 feet west and 2410 feet north from the SE corner of section 31 T 12N R 14W Gila and Salt River Base and Meridian, Arizona.**

The above information is shown on the attached map.

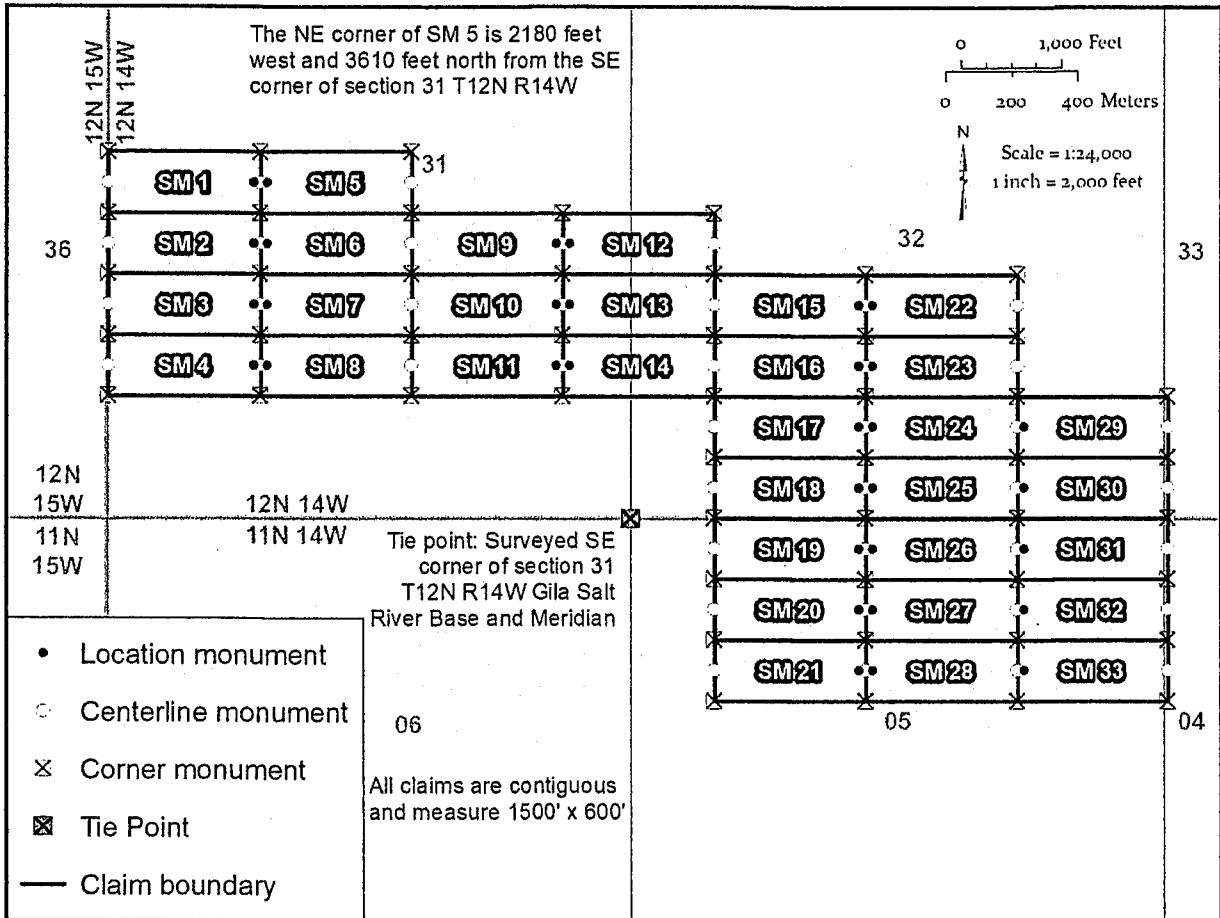
DATED AND POSTED on the ground this 23 day of **October 2019**.

[ ] LOCATOR(s) [X] AGENT  
Printed Name(s): **Stephen McKay**

Signature: *Stephen McKay* Date: 23 October 2019

RECEIVED  
BLM AZ STATE OFFICE  
2019 OCT 30 P 3:06  
PHOENIX, ARIZONA

AMC458073



AHC458073

1. The above map depicts the **SM 10** mining claim, which is located in Section(s) **31** Township(s), **12N** Range(s) **14W**, Gila and Salt River Base and Meridian, **Mohave** County, Arizona. Total Acreage is **20.66**.
2. The type of corner and location monuments used are as follows: **2" X 2" X 60"** wooden post
3. The distances in feet between claim corners and to the public land survey monument are as depicted on the map.

RECEIVED  
 BLM AZ STATE OFFICE  
 2019 OCT 30 P 3:06  
 PHOENIX, ARIZONA

2

When Recorded return to:  
Conquest Mining LLC  
P.O. Box 1243  
Cottonwood, AZ, 86326

**FEE# 2019058838**

OFFICIAL RECORDS  
OF MOHAVE COUNTY  
KRISTI BLAIR,  
COUNTY RECORDER



10/28/2019 10:28 AM Fee: \$30.00

PAGE: 1 of 2

**LOCATION NOTICE FOR LODE MINING CLAIM**

Amendment      BLM Serial # \_\_\_\_\_

NOTICE IS HEREBY GIVEN that the **SM 11** lode mining claim has been located by **Conquest Mining LLC** whose current mailing address is  
**P.O. Box 1243**  
**Cottonwood, AZ, 86326**

The general course of this claim is **east-west** and it is situated in **Mohave County, Arizona**. This claim is **1500** feet in length and **600** feet in width.

**20.66** Total Claim Acreage. This claim runs from the location monument on which this location notice is posted on the centerline of the claim approximately **20** feet in a **east** direction to the **east** end line and **1480** feet in a **west** direction to the **west** end line. This claim is marked by six monuments one at each corner and one at the center of each end line of the claim.

The location monument on which this notice is posted is situated within Section **31**, Township **12N**, Range **14W**, Gila and Salt River Base and Meridian, Arizona and this claim encompasses portions of the following quarter section(s), section(s), Township(s) and Range(s):

**SE quarter of section 31 T12N R14W Gila and Salt River Base and Meridian, Arizona**

The locality of this claim with reference to some natural object or permanent monument and additional information (if any) concerning its locality are as follows: The **NE corner of the claim is 680 feet west and 1810 feet north from the SE corner of section 31 T 12N R 14W Gila and Salt River Base and Meridian, Arizona.**

The above information is shown on the attached map.

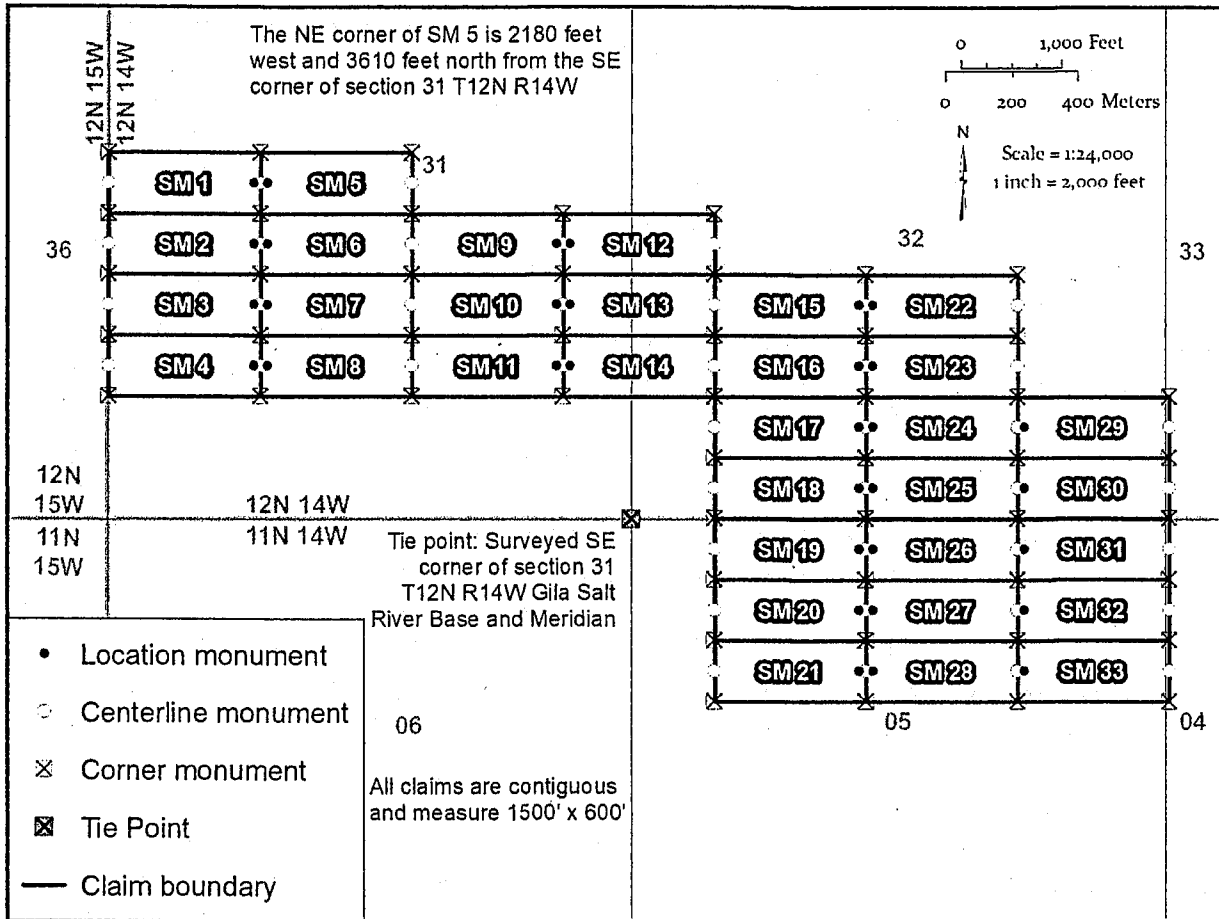
DATED AND POSTED on the ground this 23 day of October 2019.

LOCATOR(s)  AGENT  
Printed Name(s): **Stephen McKay**

Signature: *Stephen McKay* Date: 23 October 2019

RECEIVED  
BLM AZ STATE OFFICE  
2019 OCT 30 P 3:06  
PHOENIX, ARIZONA

AMC458074



AMC458074

1. The above map depicts the **SM 11** mining claim, which is located in Section(s) **31** Township(s), **12N** Range(s) **14W**, Gila and Salt River Base and Meridian, **Mohave** County, Arizona. Total Acreage is **20.66**.
2. The type of corner and location monuments used are as follows: **2" X 2" X 60"** wooden post
3. The distances in feet between claim corners and to the public land survey monument are as depicted on the map.

RECEIVED  
 BLM AZ STATE OFFICE  
 2019 OCT 30 P 3:06  
 PHOENIX, ARIZONA

2

When Recorded return to:  
Conquest Mining LLC  
P.O. Box 1243  
Cottonwood, AZ, 86326

**FEE# 2019058839**

OFFICIAL RECORDS  
OF MOHAVE COUNTY  
KRISTI BLAIR,  
COUNTY RECORDER



10/28/2019 10:28 AM Fee: \$30.00

PAGE: 1 of 2

**LOCATION NOTICE FOR LODE MINING CLAIM**

Amendment      BLM Serial # \_\_\_\_\_

NOTICE IS HEREBY GIVEN that the **SM 12** lode mining claim has been located by **Conquest Mining LLC** whose current mailing address is  
**P.O. Box 1243  
Cottonwood, AZ, 86326**

The general course of this claim is **east-west** and it is situated in **Mohave County, Arizona**. This claim is **1500** feet in length and **600** feet in width.

**20.66** Total Claim Acreage. This claim runs from the location monument on which this location notice is posted on the centerline of the claim approximately **20** feet in a **west** direction to the **west** end line and **1480** feet in a **east** direction to the **east** end line. This claim is marked by six monuments one at each corner and one at the center of each end line of the claim.

The location monument on which this notice is posted is situated within **Section 31, Township 12N, Range 14W, Gila and Salt River Base and Meridian, Arizona** and this claim encompasses portions of the following quarter section(s), section(s), Township(s) and Range(s):

- NE quarter of section 31 T12N R14W Gila and Salt River Base and Meridian, Arizona**
- SE quarter of section 31 T12N R14W Gila and Salt River Base and Meridian, Arizona**
- SW quarter of section 32 T12N R14W Gila and Salt River Base and Meridian, Arizona**
- NW quarter of section 32 T12N R14W Gila and Salt River Base and Meridian, Arizona**

The locality of this claim with reference to some natural object or permanent monument and additional information (if any) concerning its locality are as follows: The **NE corner of the claim is 820 feet east and 3010 feet north from the SE corner of section 31 T 12N R 14W Gila and Salt River Base and Meridian, Arizona.**

The above information is shown on the attached map.

DATED AND POSTED on the ground this 23 day of **October 2019**.

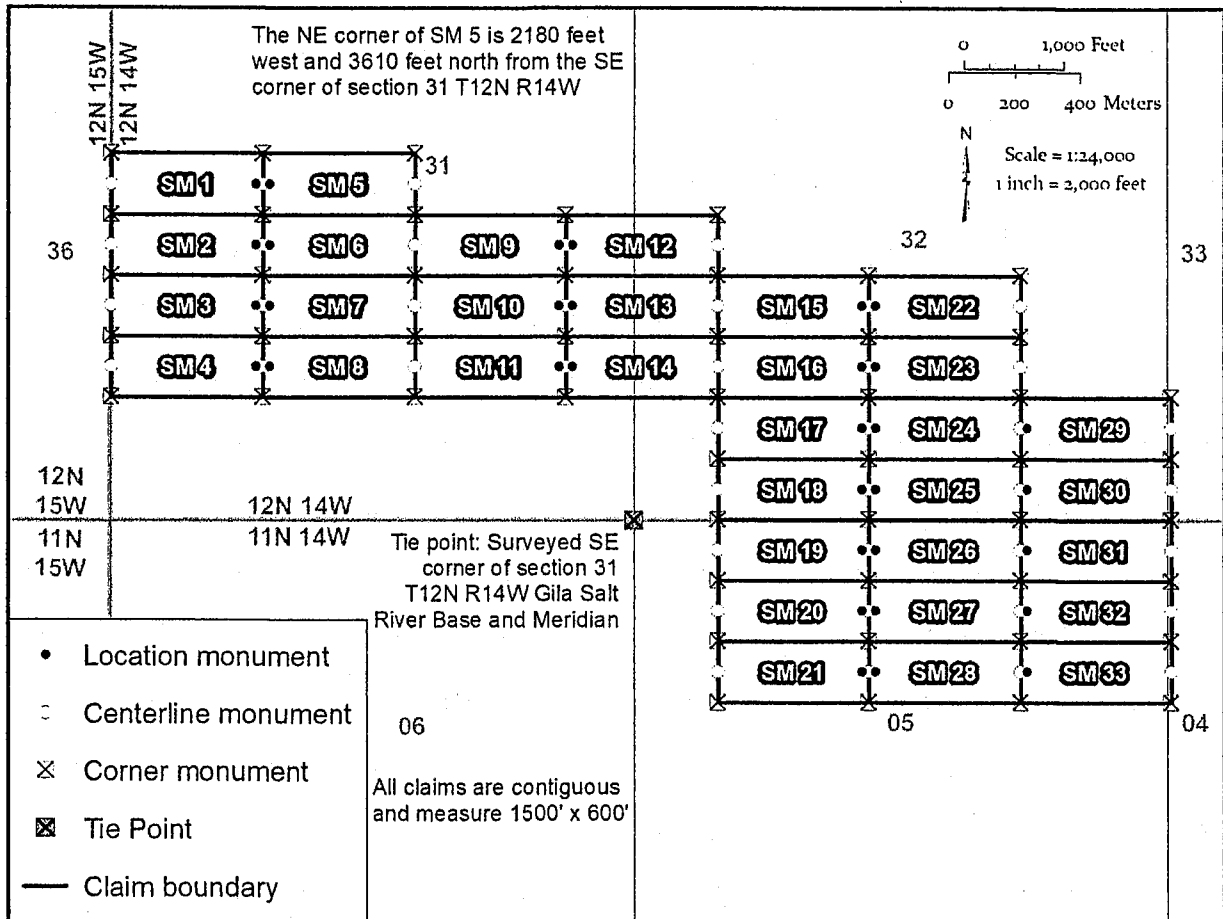
[ ] LOCATOR(s) [X] AGENT  
Printed Name(s): **Stephen McKay**

Signature: *Stephen McKay* Date: 23 October, 2019

RECEIVED  
BLM AZ STATE OFFICE  
2019 OCT 30 P 3:06  
PHOENIX, ARIZONA

AMC458075





AMC458075

1. The above map depicts the **SM 12** mining claim, which is located in Section(s) **31, 32** Township(s), **12N** Range(s) **14W**, Gila and Salt River Base and Meridian, **Mohave** County, Arizona. Total Acreage is **20.66**.
2. The type of corner and location monuments used are as follows: **2" X 2" X 60"** wooden post
3. The distances in feet between claim corners and to the public land survey monument are as depicted on the map.

RECEIVED  
 BLM AZ STATE OFFICE  
 2019 OCT 30 P 3:06  
 PHOENIX, ARIZONA

2

When Recorded return to:  
Conquest Mining LLC  
P.O. Box 1243  
Cottonwood, AZ, 86326

  
**FEE# 2019058840**

OFFICIAL RECORDS  
OF MOHAVE COUNTY  
KRISTI BLAIR,  
COUNTY RECORDER



10/28/2019 10:28 AM Fee: \$30.00

PAGE: 1 of 2

**LOCATION NOTICE FOR LODE MINING CLAIM**

Amendment      BLM Serial # \_\_\_\_\_

NOTICE IS HEREBY GIVEN that the **SM 13** lode mining claim has been located by **Conquest Mining LLC** whose current mailing address is  
**P.O. Box 1243**  
**Cottonwood, AZ, 86326**

The general course of this claim is **east-west** and it is situated in **Mohave County, Arizona**. This claim is **1500** feet in length and **600** feet in width.

**20.66** Total Claim Acreage. This claim runs from the location monument on which this location notice is posted on the centerline of the claim approximately **20** feet in a **west** direction to the **west** end line and **1480** feet in a **east** direction to the east end line. This claim is marked by six monuments one at each corner and one at the center of each end line of the claim.

The location monument on which this notice is posted is situated within Section **31**, Township **12N**, Range **14W**, Gila and Salt River Base and Meridian, Arizona and this claim encompasses portions of the following quarter section(s), section(s), Township(s) and Range(s):

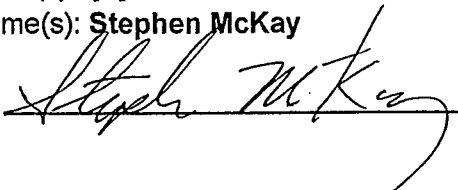
**SE quarter of section 31 T12N R14W Gila and Salt River Base and Meridian, Arizona**  
**SW quarter of section 32 T12N R14W Gila and Salt River Base and Meridian, Arizona**

The locality of this claim with reference to some natural object or permanent monument and additional information (if any) concerning its locality are as follows: The **NE corner of the claim** is **820** feet east and **2410** feet north from the **SE corner of section 31 T 12N R 14W Gila and Salt River Base and Meridian, Arizona**.

The above information is shown on the attached map.

DATED AND POSTED on the ground this 23 day of **October 2019**.

[ ] LOCATOR(s) [X] AGENT  
Printed Name(s): **Stephen McKay**

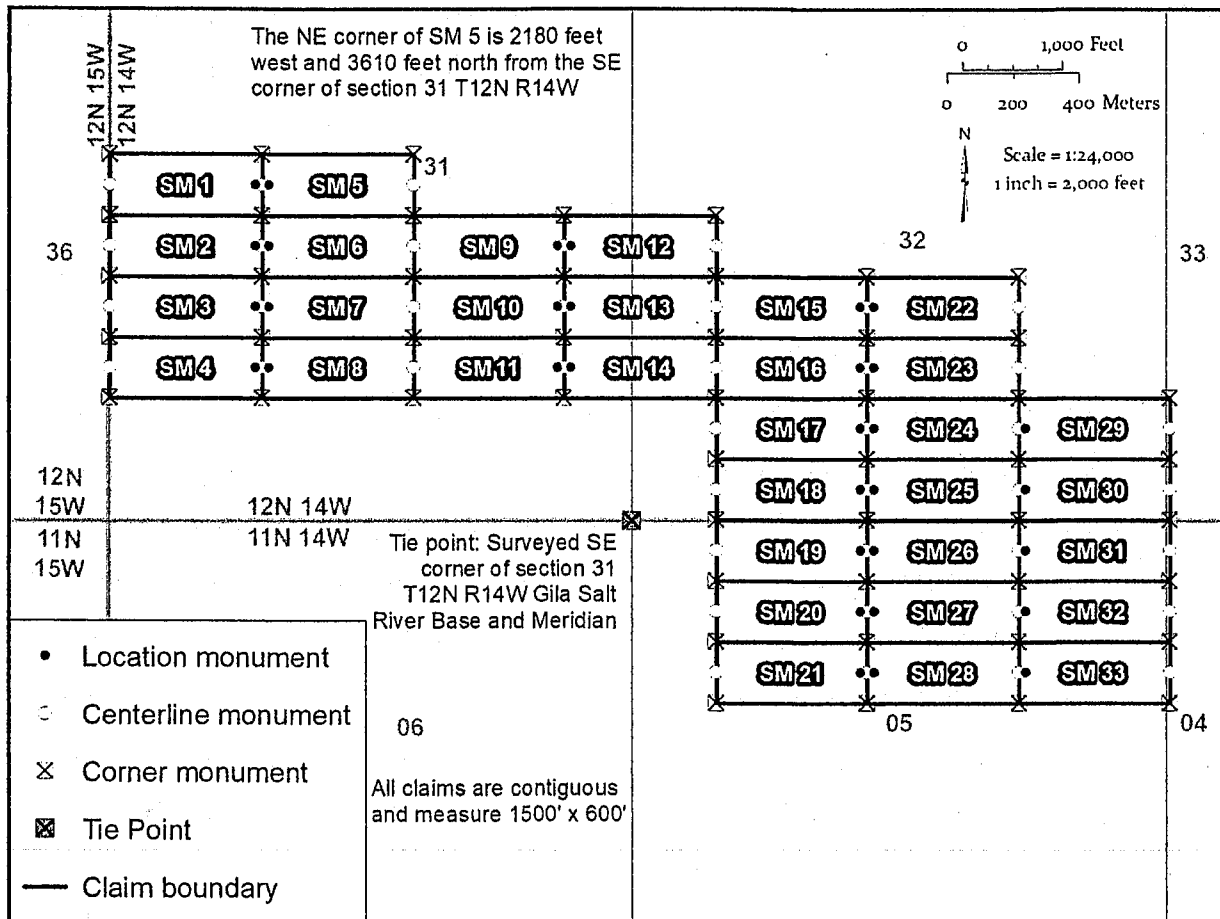
Signature:  Date: 23 October 2019

PHOENIX, ARIZONA

2019 OCT 30 P 3:04

RECEIVED  
BLM AZ STATE OFFICE

AMC 458076



AMC458076

1. The above map depicts the SM 13 mining claim, which is located in Section(s) 31, 32 Township(s), 12N Range(s) 14W, Gila and Salt River Base and Meridian, Mohave County, Arizona. Total Acreage is 20.66.
2. The type of corner and location monuments used are as follows: 2" X 2" X 60" wooden post
3. The distances in feet between claim corners and to the public land survey monument are as depicted on the map.

RECEIVED  
BLM AZ STATE OFFICE  
2019 OCT 30 P 3:01  
PHOENIX, ARIZONA

2

When Recorded return to:  
Conquest Mining LLC  
P.O. Box 1243  
Cottonwood, AZ, 86326

**FEE# 2019058841**

OFFICIAL RECORDS  
OF MOHAVE COUNTY  
KRISTI BLAIR,  
COUNTY RECORDER



10/28/2019 10:28 AM Fee: \$30.00

PAGE: 1 of 2

**LOCATION NOTICE FOR LODE MINING CLAIM**

Amendment      BLM Serial # \_\_\_\_\_

NOTICE IS HEREBY GIVEN that the **SM 14** lode mining claim has been located by **Conquest Mining LLC** whose current mailing address is  
**P.O. Box 1243  
Cottonwood, AZ, 86326**

The general course of this claim is **east-west** and it is situated in **Mohave County, Arizona**. This claim is **1500** feet in length and **600** feet in width.

**20.66** Total Claim Acreage. This claim runs from the location monument on which this location notice is posted on the centerline of the claim approximately **20** feet in a **west** direction to the **west** end line and **1480** feet in a **east** direction to the **east** end line. This claim is marked by six monuments one at each corner and one at the center of each end line of the claim.

The location monument on which this notice is posted is situated within **Section 31, Township 12N, Range 14W, Gila and Salt River Base and Meridian, Arizona** and this claim encompasses portions of the following quarter section(s), section(s), Township(s) and Range(s):

**SE quarter of section 31 T12N R14W Gila and Salt River Base and Meridian, Arizona  
SW quarter of section 32 T12N R14W Gila and Salt River Base and Meridian, Arizona**

The locality of this claim with reference to some natural object or permanent monument and additional information (if any) concerning its locality are as follows: The **NE** corner of the claim is **820** feet east and **1810** feet north from the **SE** corner of **section 31 T 12N R 14W Gila and Salt River Base and Meridian, Arizona**.

The above information is shown on the attached map.

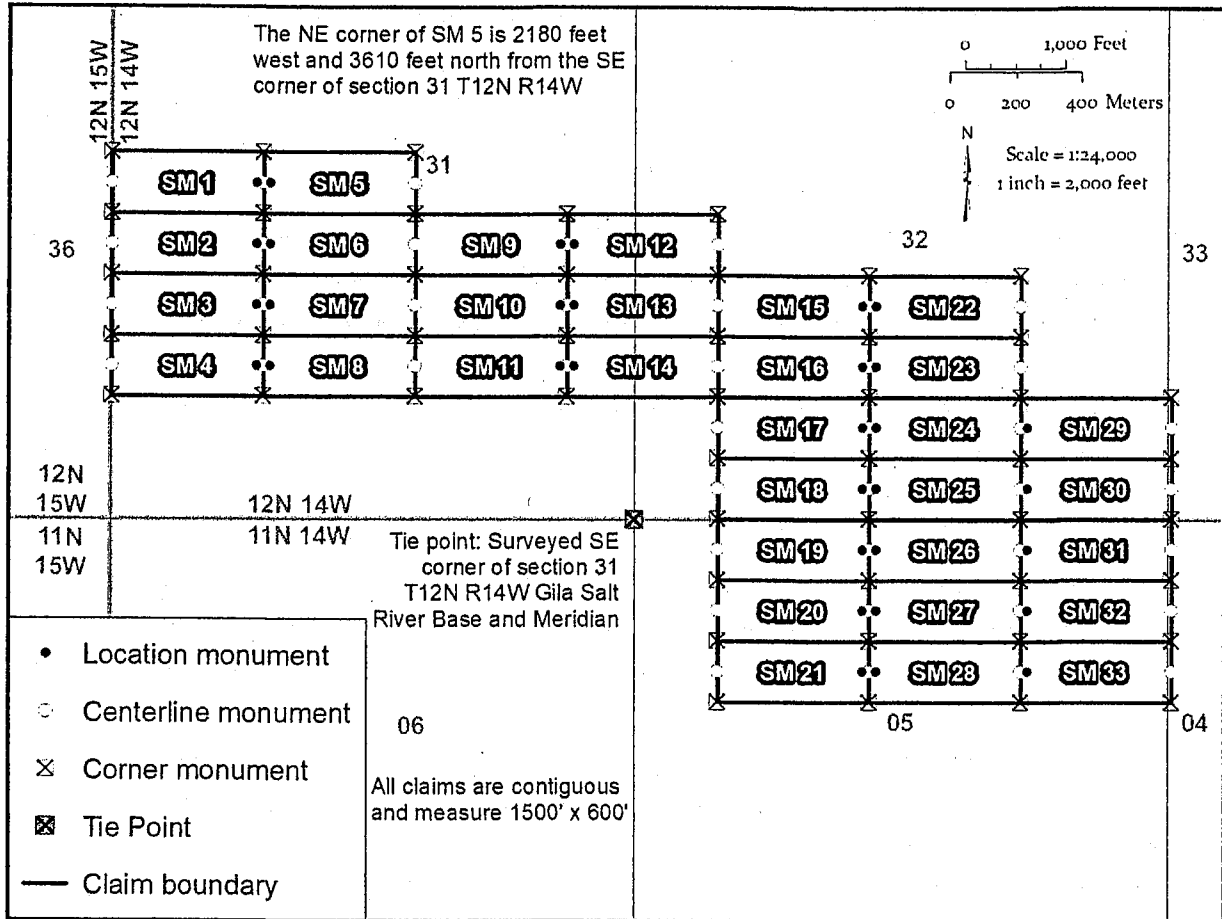
DATED AND POSTED on the ground this 23 day of **October 2019**.

[ ] LOCATOR(s) [X] AGENT  
Printed Name(s): **Stephen McKay**

Signature: *Stephen McKay* Date: 23 October 2019

RECEIVED  
BLM AZ STATE OFFICE  
2019 OCT 30 P 3: 01  
PHOENIX, ARIZONA

AMC458077



AMC458077

1. The above map depicts the **SM 14** mining claim, which is located in Section(s) **31, 32** Township(s), **12N** Range(s) **14W**, Gila and Salt River Base and Meridian, **Mohave** County, Arizona. Total Acreage is **20.66**.
2. The type of corner and location monuments used are as follows: **2" X 2" X 60"** wooden post
3. The distances in feet between claim corners and to the public land survey monument are as depicted on the map.

RECEIVED  
 BLM AZ STATE OFFICE  
 2019 OCT 30 P 3:07  
 PHOENIX, ARIZONA

2

When Recorded return to:  
Conquest Mining LLC  
P.O. Box 1243  
Cottonwood, AZ, 86326

**FEE# 2019058842**

OFFICIAL RECORDS  
OF MOHAVE COUNTY  
KRISTI BLAIR,  
COUNTY RECORDER



10/28/2019 10:28 AM Fee: \$30.00

PAGE: 1 of 2

**LOCATION NOTICE FOR LODE MINING CLAIM**

Amendment      BLM Serial # \_\_\_\_\_

NOTICE IS HEREBY GIVEN that the **SM 15** lode mining claim has been located by **Conquest Mining LLC** whose current mailing address is  
**P.O. Box 1243**  
**Cottonwood, AZ, 86326**

The general course of this claim is **east-west** and it is situated in **Mohave County, Arizona**. This claim is **1500** feet in length and **600** feet in width.

**20.66** Total Claim Acreage. This claim runs from the location monument on which this location notice is posted on the centerline of the claim approximately **20** feet in a **east** direction to the **east** end line and **1480** feet in a **west** direction to the **west** end line. This claim is marked by six monuments one at each corner and one at the center of each end line of the claim.

The location monument on which this notice is posted is situated within Section **32**, Township **12N**, Range **14W**, Gila and Salt River Base and Meridian, Arizona and this claim encompasses portions of the following quarter section(s), section(s), Township(s) and Range(s):

**SW quarter of section 32 T12N R14W Gila and Salt River Base and Meridian, Arizona**

The locality of this claim with reference to some natural object or permanent monument and additional information (if any) concerning its locality are as follows: The **NE corner of the claim** is **2320** feet east and **2410** feet north from the **SE corner of section 31 T 12N R 14W Gila and Salt River Base and Meridian, Arizona**.

The above information is shown on the attached map.

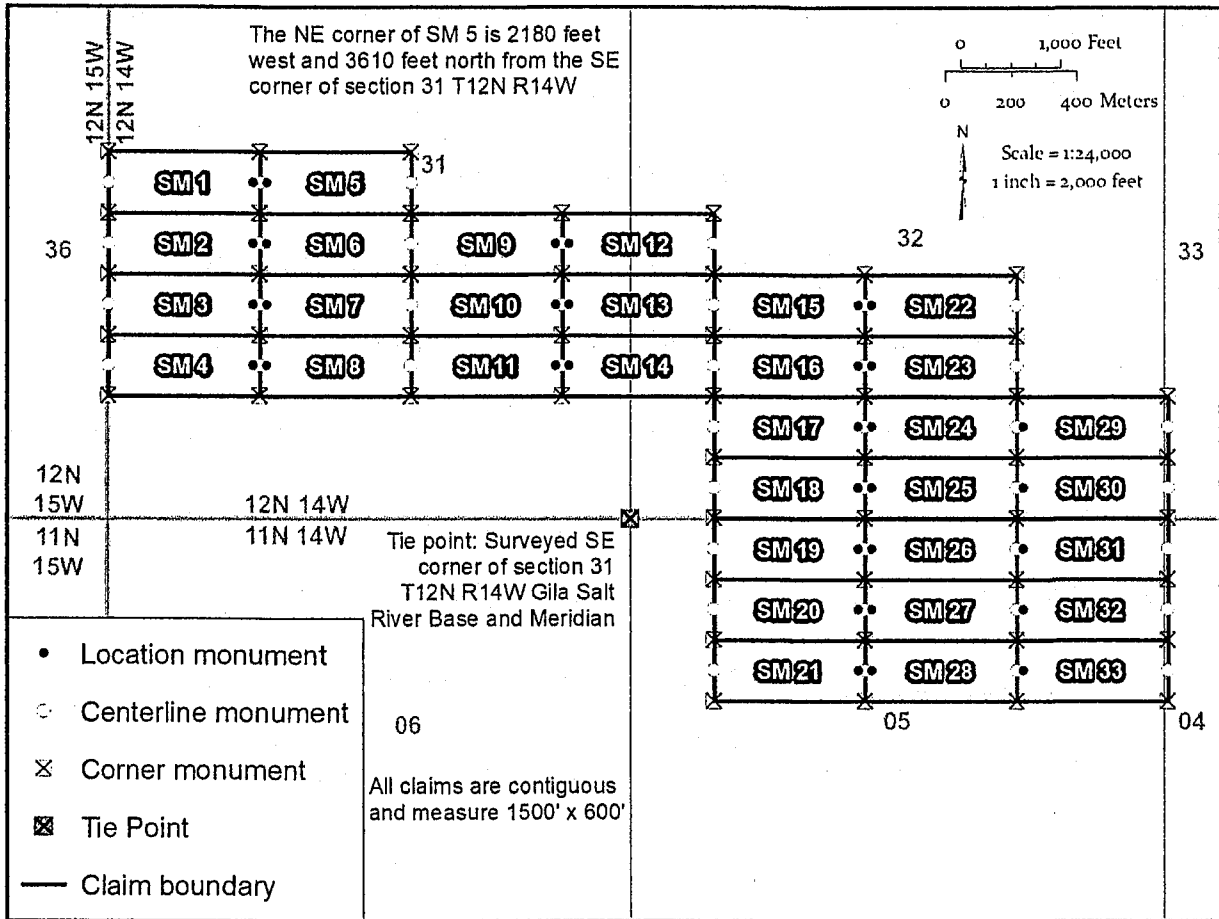
DATED AND POSTED on the ground this 24 day of October 2019.

[ ] LOCATOR(s) [X] AGENT  
Printed Name(s): **Stephen McKay**

Signature:  Date: 24 October 2019

RECEIVED  
BLM AZ STATE OFFICE  
2019 OCT 30 P 3:07  
PHOENIX, ARIZONA

AMC458078



AMC458078

1. The above map depicts the **SM 15** mining claim, which is located in Section(s) **32** Township(s), **12N** Range(s) **14W**, Gila and Salt River Base and Meridian, **Mohave** County, Arizona. Total Acreage is **20.66**.
2. The type of corner and location monuments used are as follows: **2" X 2" X 60"** wooden post
3. The distances in feet between claim corners and to the public land survey monument are as depicted on the map.

PHOENIX, ARIZONA

2019 OCT 30 P 3:07

RECEIVED  
BLM AZ STATE OFFICE

2

When Recorded return to:  
Conquest Mining LLC  
P.O. Box 1243  
Cottonwood, AZ, 86326

  
**FEE# 2019058843**

OFFICIAL RECORDS  
OF MOHAVE COUNTY  
KRISTI BLAIR,  
COUNTY RECORDER



10/28/2019 10:28 AM Fee: \$30.00  
PAGE: 1 of 2

**LOCATION NOTICE FOR LODE MINING CLAIM**

Amendment      BLM Serial # \_\_\_\_\_

NOTICE IS HEREBY GIVEN that the **SM 16** lode mining claim has been located by **Conquest Mining LLC** whose current mailing address is  
**P.O. Box 1243**  
**Cottonwood, AZ, 86326**

The general course of this claim is **east-west** and it is situated in **Mohave County, Arizona**. This claim is **1500** feet in length and **600** feet in width.

**20.66** Total Claim Acreage. This claim runs from the location monument on which this location notice is posted on the centerline of the claim approximately **20** feet in a **east** direction to the **east** end line and **1480** feet in a **west** direction to the **west** end line. This claim is marked by six monuments one at each corner and one at the center of each end line of the claim.

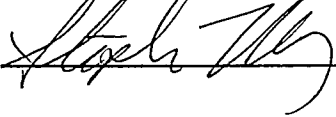
The location monument on which this notice is posted is situated within Section **32**, Township **12N**, Range **14W**, Gila and Salt River Base and Meridian, Arizona and this claim encompasses portions of the following quarter section(s), section(s), Township(s) and Range(s):  
**SW quarter of section 32 T12N R14W Gila and Salt River Base and Meridian, Arizona**

The locality of this claim with reference to some natural object or permanent monument and additional information (if any) concerning its locality are as follows: The **NE corner of the claim is 2320 feet east and 1810 feet north from the SE corner of section 31 T 12N R 14W Gila and Salt River Base and Meridian, Arizona.**

The above information is shown on the attached map.

DATED AND POSTED on the ground this 24 day of **October 2019**.

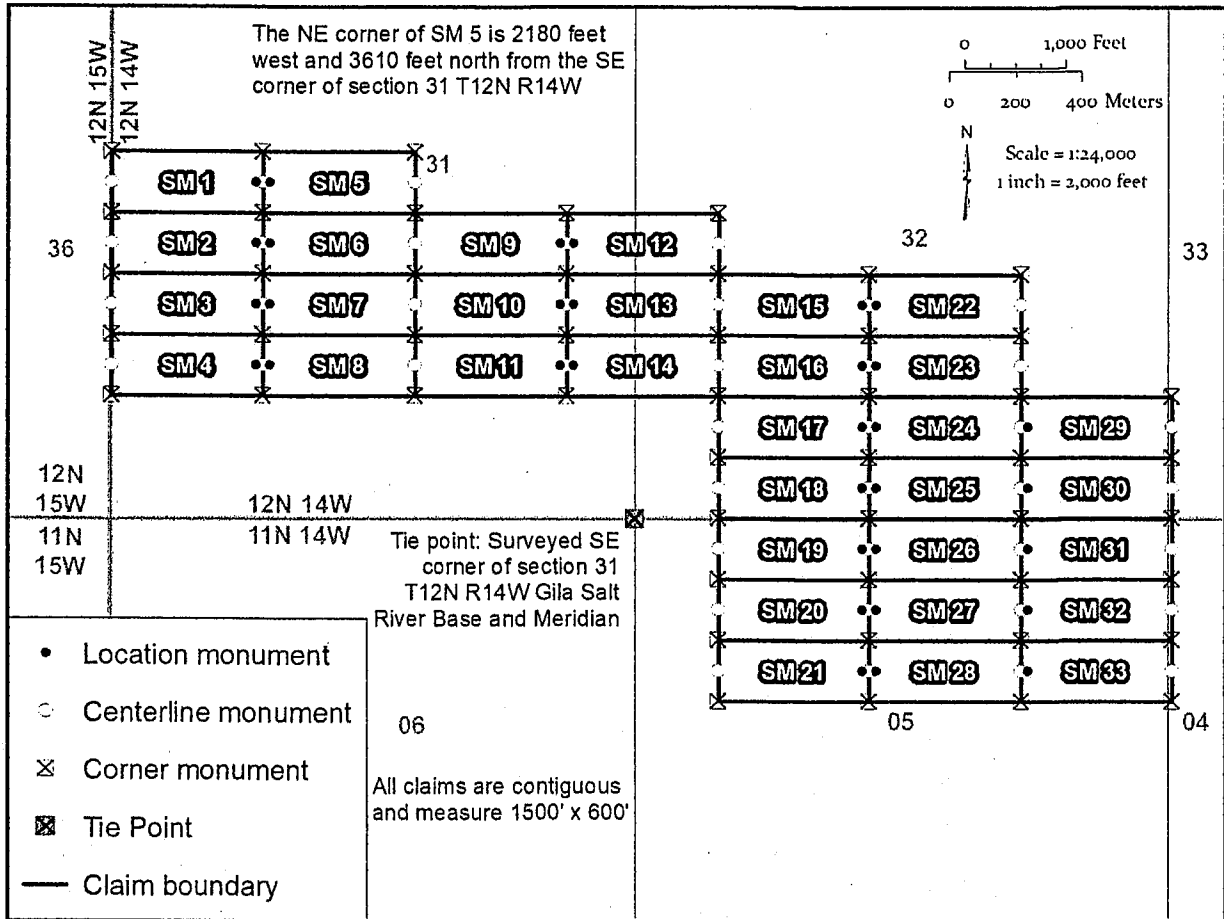
[ ] LOCATOR(s) [X] AGENT  
Printed Name(s): **Stephen McKay**

Signature:  Date: 24 October 2019

AMC458079

RECEIVED  
BLM AZ STATE OFFICE  
2019 OCT 30 P 3:01  
PHOENIX, ARIZONA





AMC458079

1. The above map depicts the **SM 16** mining claim, which is located in Section(s) **32** Township(s), **12N** Range(s) **14W**, Gila and Salt River Base and Meridian, **Mohave** County, Arizona. Total Acreage is **20.66**.
2. The type of corner and location monuments used are as follows: **2" X 2" X 60" wooden post**
3. The distances in feet between claim corners and to the public land survey monument are as depicted on the map.

RECEIVED  
BHM AZ STATE OFFICE  
2019 OCT 30 P 3:07  
PHOENIX, ARIZONA

2

When Recorded return to:  
Conquest Mining LLC  
P.O. Box 1243  
Cottonwood, AZ, 86326

  
**FEE# 2019058844**

OFFICIAL RECORDS  
OF MOHAVE COUNTY  
KRISTI BLAIR,  
COUNTY RECORDER



10/28/2019 10:28 AM Fee: \$30.00

PAGE: 1 of 2

**LOCATION NOTICE FOR LODE MINING CLAIM**

Amendment      BLM Serial # \_\_\_\_\_

NOTICE IS HEREBY GIVEN that the **SM 17** lode mining claim has been located by **Conquest Mining LLC** whose current mailing address is  
**P.O. Box 1243**  
**Cottonwood, AZ, 86326**

The general course of this claim is **east-west** and it is situated in **Mohave County, Arizona**. This claim is **1500** feet in length and **600** feet in width.

**20.66** Total Claim Acreage. This claim runs from the location monument on which this location notice is posted on the centerline of the claim approximately **20** feet in a **east** direction to the **east** end line and **1480** feet in a **west** direction to the **west** end line. This claim is marked by six monuments one at each corner and one at the center of each end line of the claim.

The location monument on which this notice is posted is situated within Section **32**, Township **12N**, Range **14W**, Gila and Salt River Base and Meridian, Arizona and this claim encompasses portions of the following quarter section(s), section(s), Township(s) and Range(s):

**SW quarter of section 32 T12N R14W Gila and Salt River Base and Meridian, Arizona**

AMC 458080

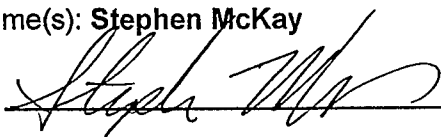
The locality of this claim with reference to some natural object or permanent monument and additional information (if any) concerning its locality are as follows: The **NE corner of the claim is 2320 feet east and 1210 feet north from the SE corner of section 31 T 12N R 14W Gila and Salt River Base and Meridian, Arizona.**

The above information is shown on the attached map.

DATED AND POSTED on the ground this 24 day of October 2019.

[ ] LOCATOR(s) [X] AGENT

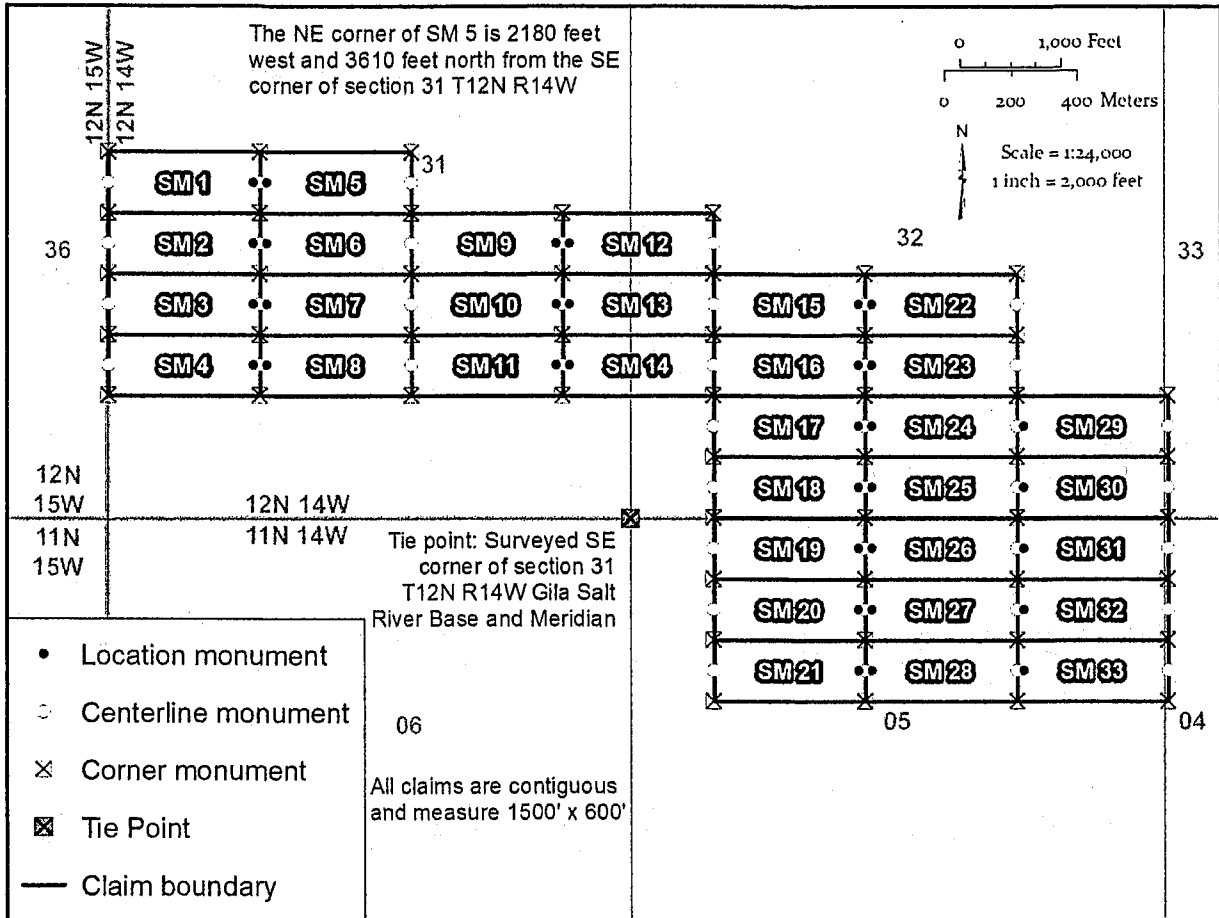
Printed Name(s): **Stephen McKay**

Signature:  Date: 24 October 2019

PHOENIX, ARIZONA

2019 OCT 30 P 3:07

RECEIVED  
BLM AZ STATE OFFICE



AMC458080

1. The above map depicts the **SM 17** mining claim, which is located in Section(s) **32** Township(s), **12N** Range(s) **14W**, Gila and Salt River Base and Meridian, **Mohave** County, Arizona. Total Acreage is **20.66**.
2. The type of corner and location monuments used are as follows: **2" X 2" X 60"** wooden post
3. The distances in feet between claim corners and to the public land survey monument are as depicted on the map.

RECEIVED  
 BLM AZ STATE OFFICE  
 2019 OCT 30 P 3:01  
 PHOENIX, ARIZONA

2

When Recorded return to:  
Conquest Mining LLC  
P.O. Box 1243  
Cottonwood, AZ, 86326

**FEE# 2019058845**

OFFICIAL RECORDS  
OF MOHAVE COUNTY  
KRISTI BLAIR,  
COUNTY RECORDER



10/28/2019 10:28 AM Fee: \$30.00

PAGE: 1 of 2

**LOCATION NOTICE FOR LODE MINING CLAIM**

Amendment      BLM Serial # \_\_\_\_\_

NOTICE IS HEREBY GIVEN that the **SM 18** lode mining claim has been located by **Conquest Mining LLC** whose current mailing address is  
**P.O. Box 1243**  
**Cottonwood, AZ, 86326**

The general course of this claim is **east-west** and it is situated in **Mohave County, Arizona**. This claim is **1500** feet in length and **600** feet in width.

**20.66** Total Claim Acreage. This claim runs from the location monument on which this location notice is posted on the centerline of the claim approximately **20** feet in a **east** direction to the **east** end line and **1480** feet in a **west** direction to the **west** end line. This claim is marked by six monuments one at each corner and one at the center of each end line of the claim.

The location monument on which this notice is posted is situated within Section **32**, Township **12N**, Range **14W**, Gila and Salt River Base and Meridian, Arizona and this claim encompasses portions of the following quarter section(s), section(s), Township(s) and Range(s):

**SW quarter of section 32 T12N R14W Gila and Salt River Base and Meridian, Arizona**

The locality of this claim with reference to some natural object or permanent monument and additional information (if any) concerning its locality are as follows: The **NE** corner of the claim is **2320** feet east and **610** feet north from the **SE** corner of section **31 T 12N R 14W Gila and Salt River Base and Meridian, Arizona**.

The above information is shown on the attached map.

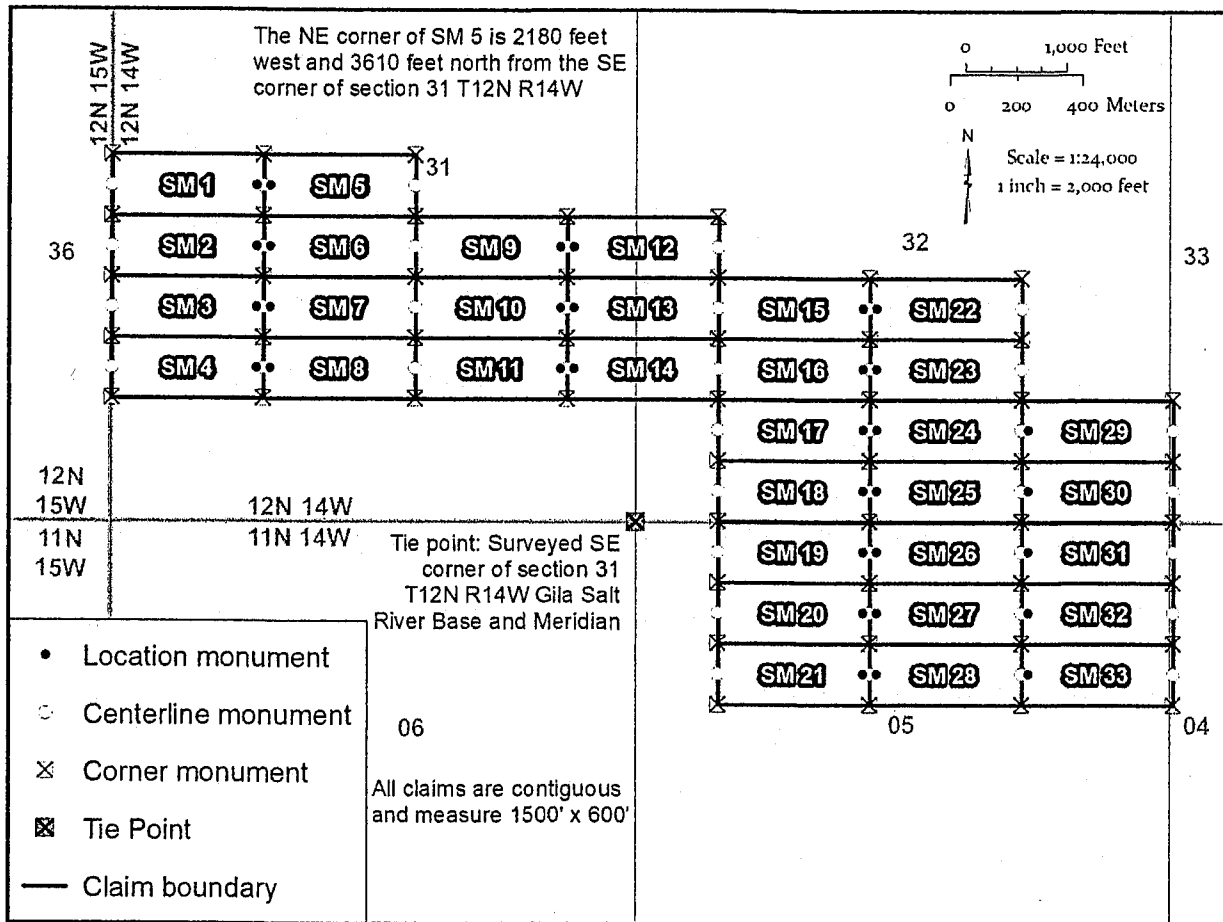
DATED AND POSTED on the ground this 24 day of **October 2019**.

[ ] LOCATOR(s) [X] AGENT  
Printed Name(s): **Stephen McKay**

Signature: *Stephen McKay* Date: 24 October 2019

RECEIVED  
BLM AZ STATE OFFICE  
2019 OCT 30 P 3:07  
PHOENIX, ARIZONA

AMC458081



AMC458081

1. The above map depicts the **SM 18** mining claim, which is located in Section(s) **32** Township(s), **12N** Range(s) **14W**, Gila and Salt River Base and Meridian, **Mohave** County, Arizona. Total Acreage is **20.66**.
2. The type of corner and location monuments used are as follows: **2" X 2" X 60"** wooden post
3. The distances in feet between claim corners and to the public land survey monument are as depicted on the map.

RECEIVED  
 BLM AZ STATE OFFICE  
 2019 OCT 30 P 3:07  
 PHOENIX, ARIZONA

2

When Recorded return to:  
Conquest Mining LLC  
P.O. Box 1243  
Cottonwood, AZ, 86326

**FEE# 2019058846**

OFFICIAL RECORDS  
OF MOHAVE COUNTY  
KRISTI BLAIR,  
COUNTY RECORDER



10/28/2019 10:28 AM Fee: \$30.00

PAGE: 1 of 2

**LOCATION NOTICE FOR LODE MINING CLAIM**

Amendment      BLM Serial # \_\_\_\_\_

NOTICE IS HEREBY GIVEN that the **SM 19** lode mining claim has been located by **Conquest Mining LLC** whose current mailing address is  
**P.O. Box 1243**  
**Cottonwood, AZ, 86326**

The general course of this claim is **east-west** and it is situated in **Mohave County, Arizona**. This claim is **1500** feet in length and **600** feet in width.

**20.66** Total Claim Acreage. This claim runs from the location monument on which this location notice is posted on the centerline of the claim approximately **20** feet in a **east** direction to the **east** end line and **1480** feet in a **west** direction to the **west** end line. This claim is marked by six monuments one at each corner and one at the center of each end line of the claim.

The location monument on which this notice is posted is situated within **Section 5, Township 11N, Range 14W, Gila and Salt River Base and Meridian, Arizona** and this claim encompasses portions of the following quarter section(s), section(s), Township(s) and Range(s):

**NW quarter of section 05 T11N R14W Gila and Salt River Base and Meridian, Arizona**  
**SW quarter of section 32 T12N R14W Gila and Salt River Base and Meridian, Arizona**

The locality of this claim with reference to some natural object or permanent monument and additional information (if any) concerning its locality are as follows: The **NE corner of the claim is 2320 feet east and 10 feet north from the SE corner of section 31 T 12N R 14W Gila and Salt River Base and Meridian, Arizona.**

The above information is shown on the attached map.

DATED AND POSTED on the ground this 24 day of **October 2019**.

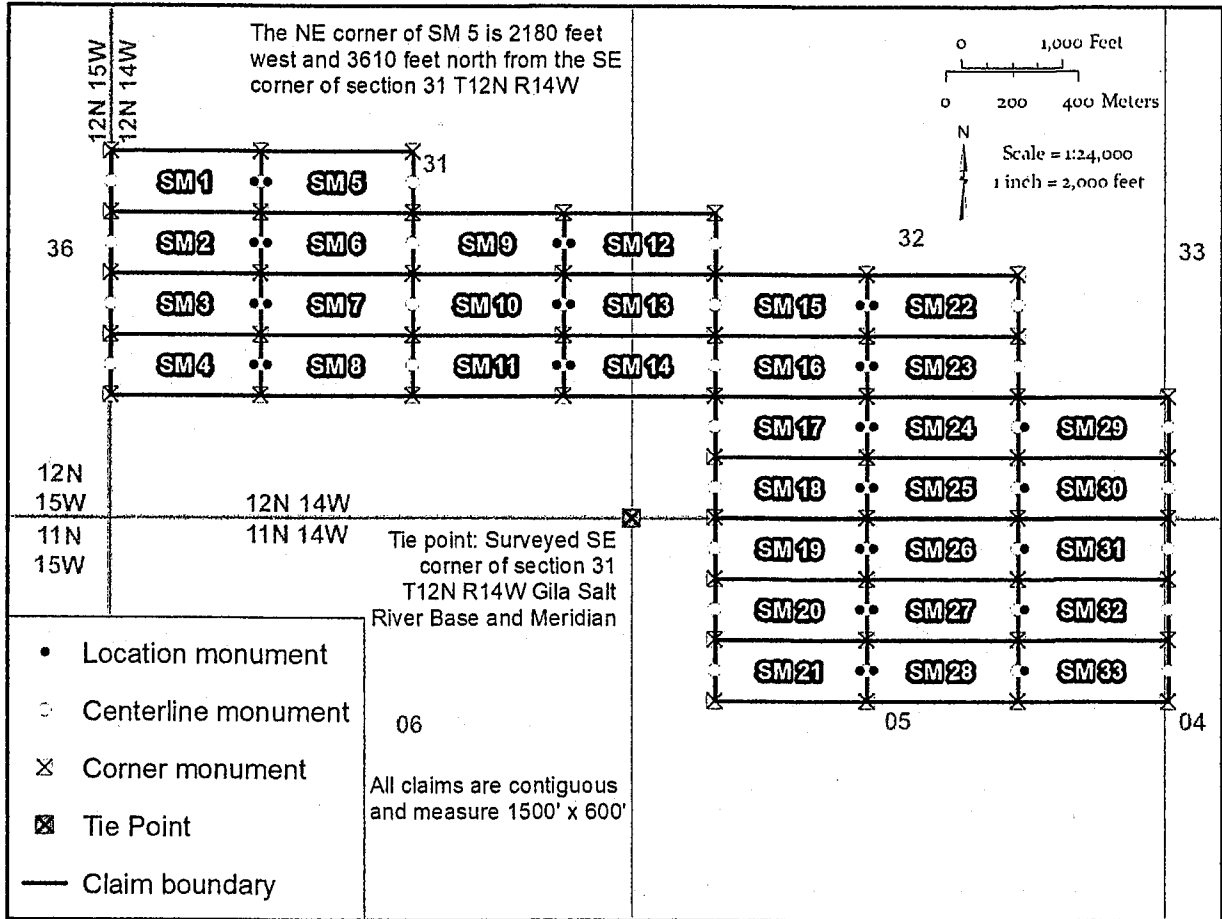
[ ] LOCATOR(s) [X] AGENT

Printed Name(s): **Stephen McKay**

Signature: *Stephen McKay* Date: 24 October 2019

RECEIVED  
BLM AZ STATE OFFICE  
2019 OCT 30 P 3:07  
PHOENIX, ARIZONA

AMC458082



AMC 458082

1. The above map depicts the **SM 19** mining claim, which is located in Section(s) **5**, 32 Township(s), **11N**, **12N** Range(s) **14W**, Gila and Salt River Base and Meridian, **Mohave** County, Arizona. Total Acreage is **20.66**.
2. The type of corner and location monuments used are as follows: **2" X 2" X 60"** wooden post
3. The distances in feet between claim corners and to the public land survey monument are as depicted on the map.

RECEIVED  
 DLN AZ STATE OFFICE  
 2019 OCT 30 P 3: 07  
 PHOENIX, ARIZONA

2

When Recorded return to:  
Conquest Mining LLC  
P.O. Box 1243  
Cottonwood, AZ, 86326

**FEE# 2019058847**

OFFICIAL RECORDS  
OF MOHAVE COUNTY  
KRISTI BLAIR,  
COUNTY RECORDER



10/28/2019 10:28 AM Fee: \$30.00

PAGE: 1 of 2

**LOCATION NOTICE FOR LODE MINING CLAIM**

Amendment      BLM Serial # \_\_\_\_\_

NOTICE IS HEREBY GIVEN that the **SM 20** lode mining claim has been located by **Conquest Mining LLC** whose current mailing address is  
**P.O. Box 1243**

**Cottonwood, AZ, 86326**

The general course of this claim is **east-west** and it is situated in **Mohave County, Arizona**. This claim is **1500** feet in length and **600** feet in width.

**20.66** Total Claim Acreage. This claim runs from the location monument on which this location notice is posted on the centerline of the claim approximately **20** feet in a **east** direction to the **east** end line and **1480** feet in a **west** direction to the **west** end line. This claim is marked by six monuments one at each corner and one at the center of each end line of the claim.

The location monument on which this notice is posted is situated within Section **5**, Township **11N**, Range **14W**, Gila and Salt River Base and Meridian, Arizona and this claim encompasses portions of the following quarter section(s), section(s), Township(s) and Range(s):

**NW quarter of section 05 T11N R14W Gila and Salt River Base and Meridian, Arizona**

AMC458083

The locality of this claim with reference to some natural object or permanent monument and additional information (if any) concerning its locality are as follows: The **NE corner of the claim is 2320 feet east and 590 feet south from the SE corner of section 31 T 12N R 14W Gila and Salt River Base and Meridian, Arizona.**

The above information is shown on the attached map.

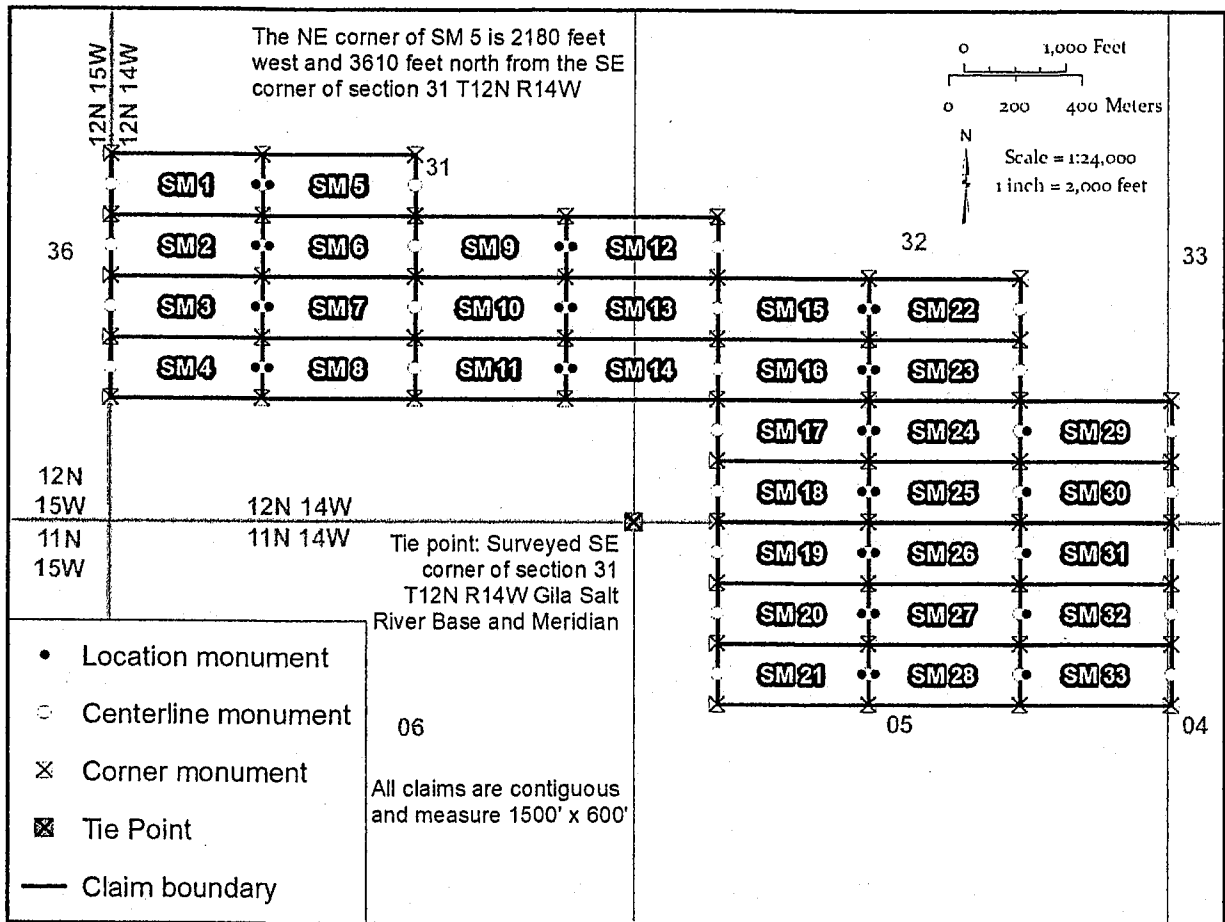
DATED AND POSTED on the ground this 24 day of **October 2019**.

[ ] LOCATOR(s) [X] AGENT  
Printed Name(s): **Stephen McKay**

Signature: *Stephen McKay* Date: 24 October 2019

RECEIVED  
BLM AZ STATE OFFICE  
2019 OCT 30 P 3:06  
PHOENIX, ARIZONA





ANCI458083

1. The above map depicts the **SM 20** mining claim, which is located in Section(s) **5** Township(s), **11N** Range(s) **14W**, Gila and Salt River Base and Meridian, Mohave County, Arizona. Total Acreage is **20.66**.
2. The type of corner and location monuments used are as follows: **2" X 2" X 60" wooden post**
3. The distances in feet between claim corners and to the public land survey monument are as depicted on the map.

RECEIVED  
BLM AZ STATE OFFICE  
2019 OCT 30 P 3:08  
PHOENIX, ARIZONA

2

When Recorded return to:  
Conquest Mining LLC  
P.O. Box 1243  
Cottonwood, AZ, 86326

**FEE# 2019058848**

OFFICIAL RECORDS  
OF MOHAVE COUNTY  
KRISTI BLAIR,  
COUNTY RECORDER



10/28/2019 10:28 AM Fee: \$30.00

PAGE: 1 of 2

**LOCATION NOTICE FOR LODE MINING CLAIM**

Amendment      BLM Serial # \_\_\_\_\_

NOTICE IS HEREBY GIVEN that the **SM 21** lode mining claim has been located by **Conquest Mining LLC** whose current mailing address is  
**P.O. Box 1243**  
**Cottonwood, AZ, 86326**

The general course of this claim is **east-west** and it is situated in **Mohave County, Arizona**. This claim is **1500** feet in length and **600** feet in width.

**20.66** Total Claim Acreage. This claim runs from the location monument on which this location notice is posted on the centerline of the claim approximately **20** feet in a **east** direction to the **east** end line and **1480** feet in a **west** direction to the **west** end line. This claim is marked by six monuments one at each corner and one at the center of each end line of the claim.

The location monument on which this notice is posted is situated within Section **5**, Township **11N**, Range **14W**, Gila and Salt River Base and Meridian, Arizona and this claim encompasses portions of the following quarter section(s), section(s), Township(s) and Range(s):  
**NW quarter of section 05 T11N R14W Gila and Salt River Base and Meridian, Arizona**

The locality of this claim with reference to some natural object or permanent monument and additional information (if any) concerning its locality are as follows: The **NE** corner of the claim is **2320** feet east and **1190** feet south from the **SE** corner of section **31 T 12N R 14W** Gila and Salt River Base and Meridian, Arizona.

The above information is shown on the attached map.

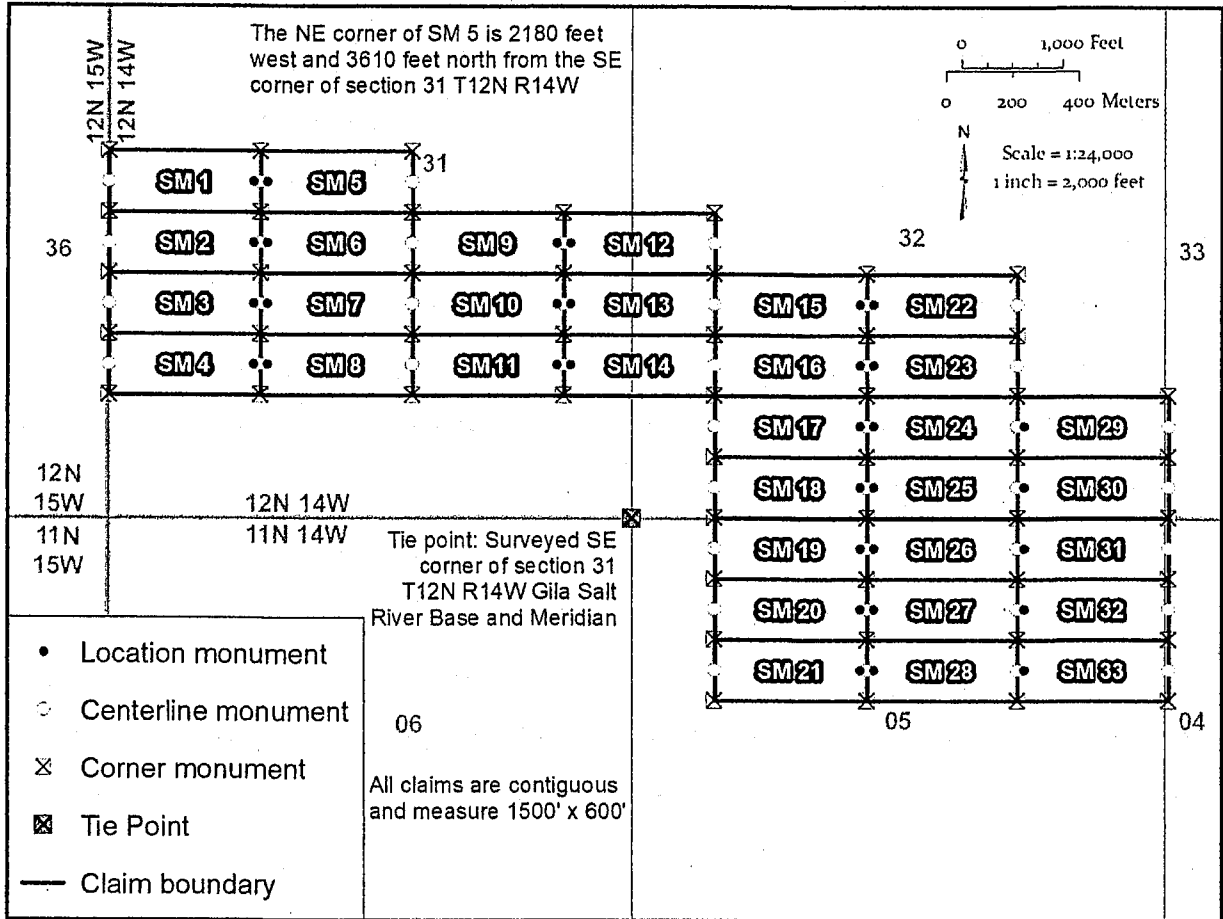
DATED AND POSTED on the ground this 24 day of October 2019.

[ ] LOCATOR(s) [X] AGENT  
Printed Name(s): **Stephen McKay**

Signature: *Stephen McKay* Date: 24 October 2019

RECEIVED  
BLM AZ STATE OFFICE  
2019 OCT 30 P 3:08  
PHOENIX, ARIZONA

AMC458084



AMC458084

1. The above map depicts the **SM 21** mining claim, which is located in Section(s) **5** Township(s), **11N** Range(s) **14W**, Gila and Salt River Base and Meridian, Mohave County, Arizona. Total Acreage is **20.66**.
2. The type of corner and location monuments used are as follows: **2" X 2" X 60" wooden post**
3. The distances in feet between claim corners and to the public land survey monument are as depicted on the map.

RECEIVED  
 BLM AZ STATE OFFICE  
 2019 OCT 30 P 3:08  
 PHOENIX, ARIZONA

2

When Recorded return to:  
Conquest Mining LLC  
P.O. Box 1243  
Cottonwood, AZ, 86326

  
**FEE# 2019058849**

OFFICIAL RECORDS  
OF MOHAVE COUNTY  
KRISTI BLAIR,  
COUNTY RECORDER



10/28/2019 10:28 AM Fee: \$30.00

PAGE: 1 of 2

**LOCATION NOTICE FOR LODE MINING CLAIM**

Amendment      BLM Serial # \_\_\_\_\_

NOTICE IS HEREBY GIVEN that the **SM 22** lode mining claim has been located by **Conquest Mining LLC** whose current mailing address is  
**P.O. Box 1243**  
**Cottonwood, AZ, 86326**

The general course of this claim is **east-west** and it is situated in **Mohave County, Arizona**. This claim is **1500** feet in length and **600** feet in width.

**20.66** Total Claim Acreage. This claim runs from the location monument on which this location notice is posted on the centerline of the claim approximately **20** feet in a **west** direction to the **west** end line and **1480** feet in a **east** direction to the **east** end line. This claim is marked by six monuments one at each corner and one at the center of each end line of the claim.

The location monument on which this notice is posted is situated within Section **32**, Township **12N**, Range **14W**, Gila and Salt River Base and Meridian, Arizona and this claim encompasses portions of the following quarter section(s), section(s), Township(s) and Range(s):

**SW quarter of section 32 T12N R14W Gila and Salt River Base and Meridian, Arizona**  
**SE quarter of section 32 T12N R14W Gila and Salt River Base and Meridian, Arizona**

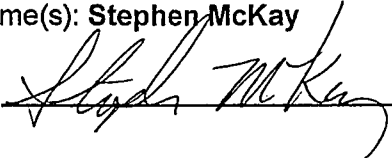
AMC458085

The locality of this claim with reference to some natural object or permanent monument and additional information (if any) concerning its locality are as follows: The **NE corner of the claim** is **3820** feet east and **2410** feet north from the **SE corner of section 31 T 12N R 14W Gila and Salt River Base and Meridian, Arizona**.

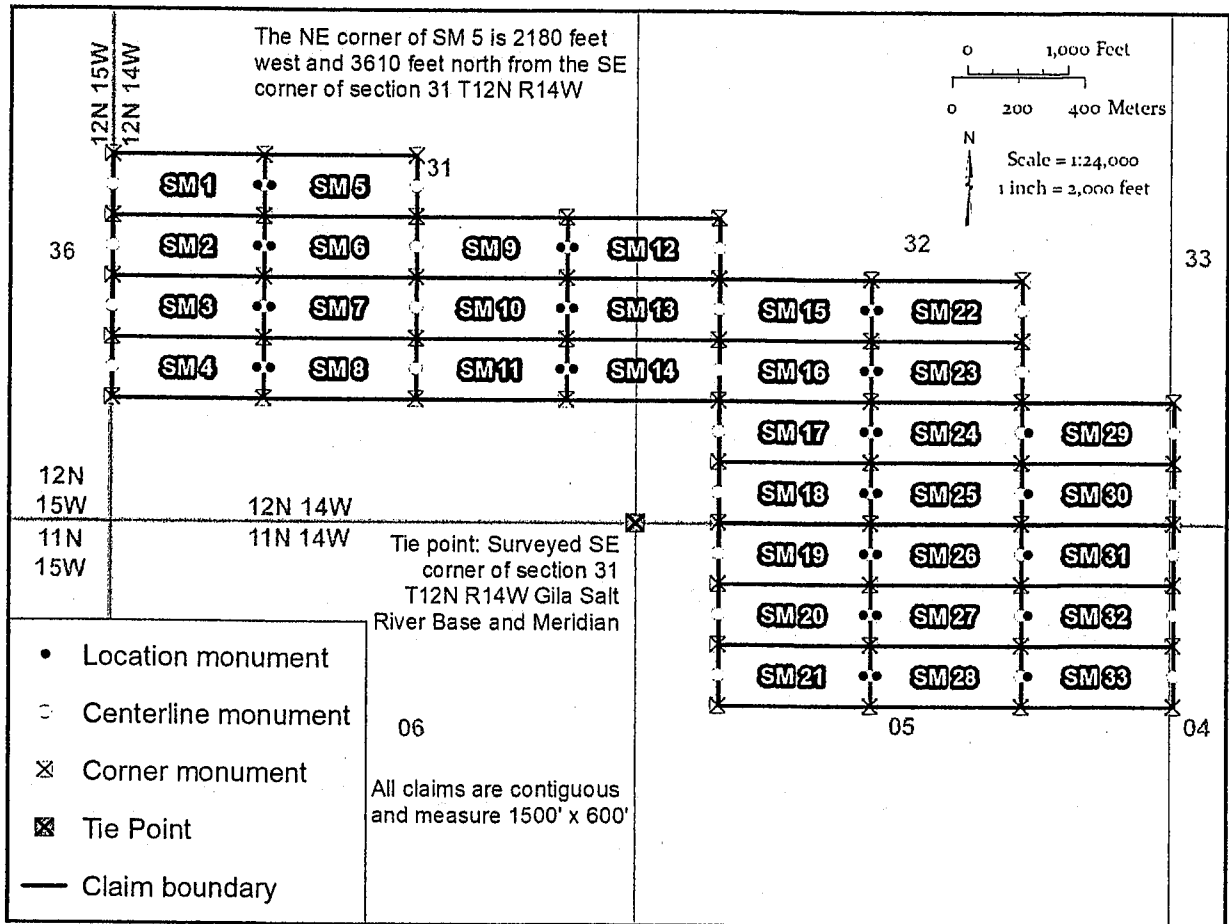
The above information is shown on the attached map.

DATED AND POSTED on the ground this 24 day of October 2019.

[ ] LOCATOR(s) [X] AGENT  
Printed Name(s): **Stephen McKay**

Signature:  Date: 24 October 2019

RECEIVED  
BLM AZ STATE OFFICE  
2019 OCT 30 P 3:08  
PHOENIX, ARIZONA



AMC 458085

1. The above map depicts the **SM 22** mining claim, which is located in Section(s) **32** Township(s), **12N** Range(s) **14W**, Gila and Salt River Base and Meridian, **Mohave** County, Arizona. Total Acreage is **20.66**.
2. The type of corner and location monuments used are as follows: **2" X 2" X 60"** wooden post
3. The distances in feet between claim corners and to the public land survey monument are as depicted on the map.

RECEIVED  
 BLM AZ STATE OFFICE  
 2019 OCT 30 P 3:08  
 PHOENIX, ARIZONA

2

When Recorded return to:  
Conquest Mining LLC  
P.O. Box 1243  
Cottonwood, AZ, 86326

  
**FEE# 2019058850**

OFFICIAL RECORDS  
OF MOHAVE COUNTY  
KRISTI BLAIR,  
COUNTY RECORDER



10/28/2019 10:28 AM Fee: \$30.00

PAGE: 1 of 2

**LOCATION NOTICE FOR LODE MINING CLAIM**

Amendment      BLM Serial # \_\_\_\_\_

NOTICE IS HEREBY GIVEN that the **SM 23** lode mining claim has been located by **Conquest Mining LLC** whose current mailing address is  
**P.O. Box 1243**  
**Cottonwood, AZ, 86326**

The general course of this claim is **east-west** and it is situated in **Mohave County, Arizona**. This claim is **1500** feet in length and **600** feet in width.

**20.66** Total Claim Acreage. This claim runs from the location monument on which this location notice is posted on the centerline of the claim approximately **20** feet in a **west** direction to the **west** end line and **1480** feet in a **east** direction to the **east** end line. This claim is marked by six monuments one at each corner and one at the center of each end line of the claim.

The location monument on which this notice is posted is situated within Section **32**, Township **12N**, Range **14W**, Gila and Salt River Base and Meridian, Arizona and this claim encompasses portions of the following quarter section(s), section(s), Township(s) and Range(s):

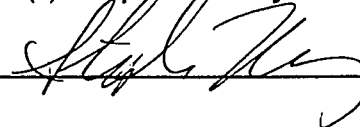
**SW quarter of section 32 T12N R14W Gila and Salt River Base and Meridian, Arizona**  
**SE quarter of section 32 T12N R14W Gila and Salt River Base and Meridian, Arizona**

The locality of this claim with reference to some natural object or permanent monument and additional information (if any) concerning its locality are as follows: The **NE** corner of the claim is **3820** feet east and **1810** feet north from the **SE** corner of section **31 T 12N R 14W Gila and Salt River Base and Meridian, Arizona**.

The above information is shown on the attached map.

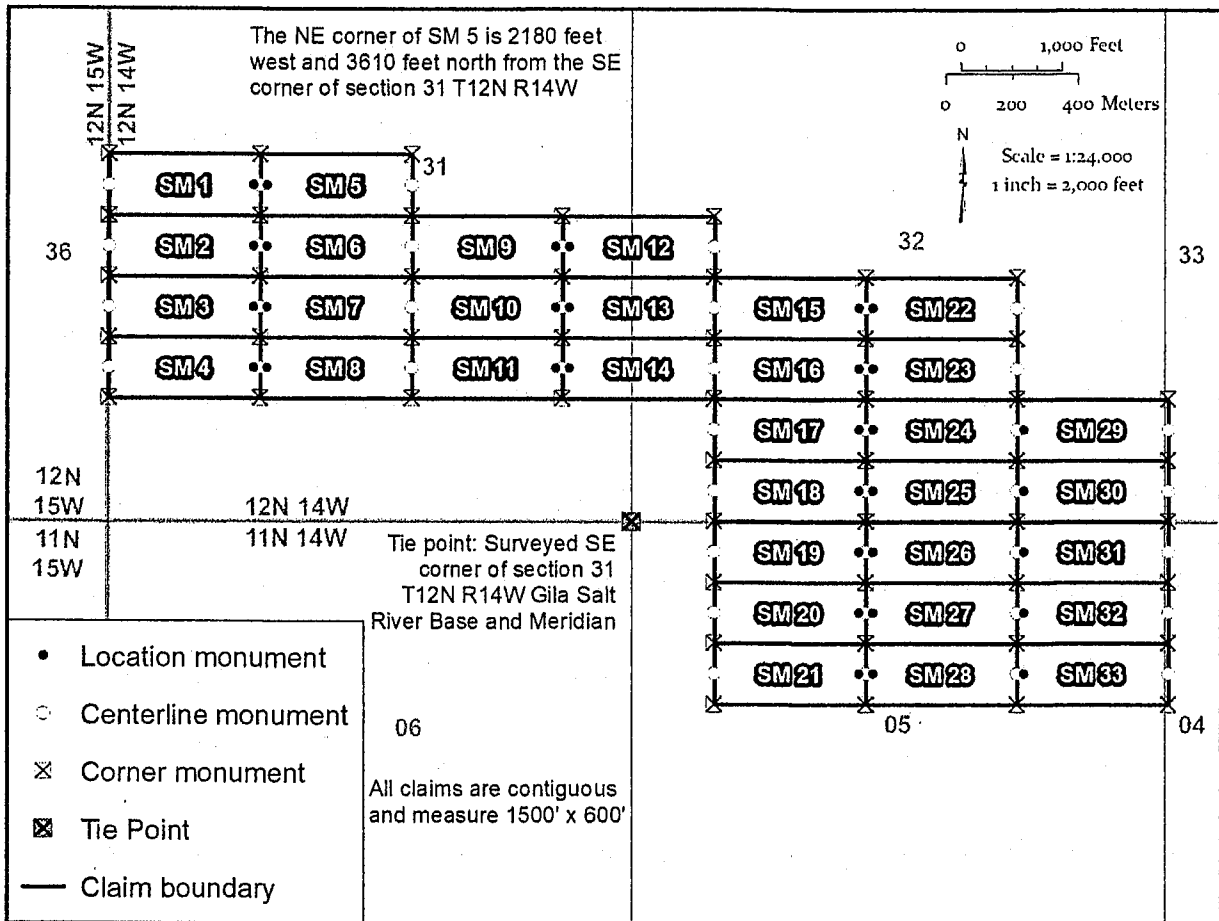
DATED AND POSTED on the ground this 24 day of **October 2019**.

[ ] LOCATOR(s) [X] AGENT  
Printed Name(s): **Stephen McKay**

Signature:  Date: 24 October 2019

RECEIVED  
BLM AZ STATE OFFICE  
2019 OCT 30 P 3:08  
PHOENIX, ARIZONA

AMC458086



AMC 458086

1. The above map depicts the **SM 23** mining claim, which is located in Section(s) **32** Township(s), **12N** Range(s) **14W**, Gila and Salt River Base and Meridian, Mohave County, Arizona. Total Acreage is **20.66**.
2. The type of corner and location monuments used are as follows: **2" X 2" X 60" wooden post**
3. The distances in feet between claim corners and to the public land survey monument are as depicted on the map.

RECEIVED  
 BLM AZ STATE OFFICE  
 2019 OCT 30 P 3: 08  
 PHOENIX, ARIZONA

2

When Recorded return to:  
Conquest Mining LLC  
P.O. Box 1243  
Cottonwood, AZ, 86326

  
**FEE# 2019058851**

OFFICIAL RECORDS  
OF MOHAVE COUNTY  
KRISTI BLAIR,  
COUNTY RECORDER



10/28/2019 10:28 AM Fee: \$30.00

PAGE: 1 of 2

**LOCATION NOTICE FOR LODE MINING CLAIM**

Amendment      BLM Serial # \_\_\_\_\_

NOTICE IS HEREBY GIVEN that the **SM 24** lode mining claim has been located by **Conquest Mining LLC** whose current mailing address is  
**P.O. Box 1243**  
**Cottonwood, AZ, 86326**

The general course of this claim is **east-west** and it is situated in **Mohave County, Arizona**. This claim is **1500** feet in length and **600** feet in width.

**20.66** Total Claim Acreage. This claim runs from the location monument on which this location notice is posted on the centerline of the claim approximately **20** feet in a **west** direction to the **west** end line and **1480** feet in a **east** direction to the **east** end line. This claim is marked by six monuments one at each corner and one at the center of each end line of the claim.

The location monument on which this notice is posted is situated within **Section 32, Township 12N, Range 14W, Gila and Salt River Base and Meridian, Arizona** and this claim encompasses portions of the following quarter section(s), section(s), Township(s) and Range(s):

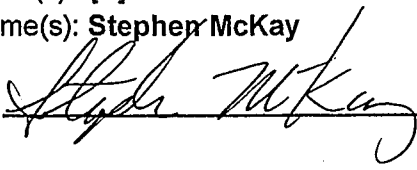
**SW quarter of section 32 T12N R14W Gila and Salt River Base and Meridian, Arizona**  
**SE quarter of section 32 T12N R14W Gila and Salt River Base and Meridian, Arizona**

The locality of this claim with reference to some natural object or permanent monument and additional information (if any) concerning its locality are as follows: The **NE corner of the claim is 3820 feet east and 1210 feet north from the SE corner of section 31 T 12N R 14W Gila and Salt River Base and Meridian, Arizona.**

The above information is shown on the attached map.

DATED AND POSTED on the ground this 24 day of **October 2019**.

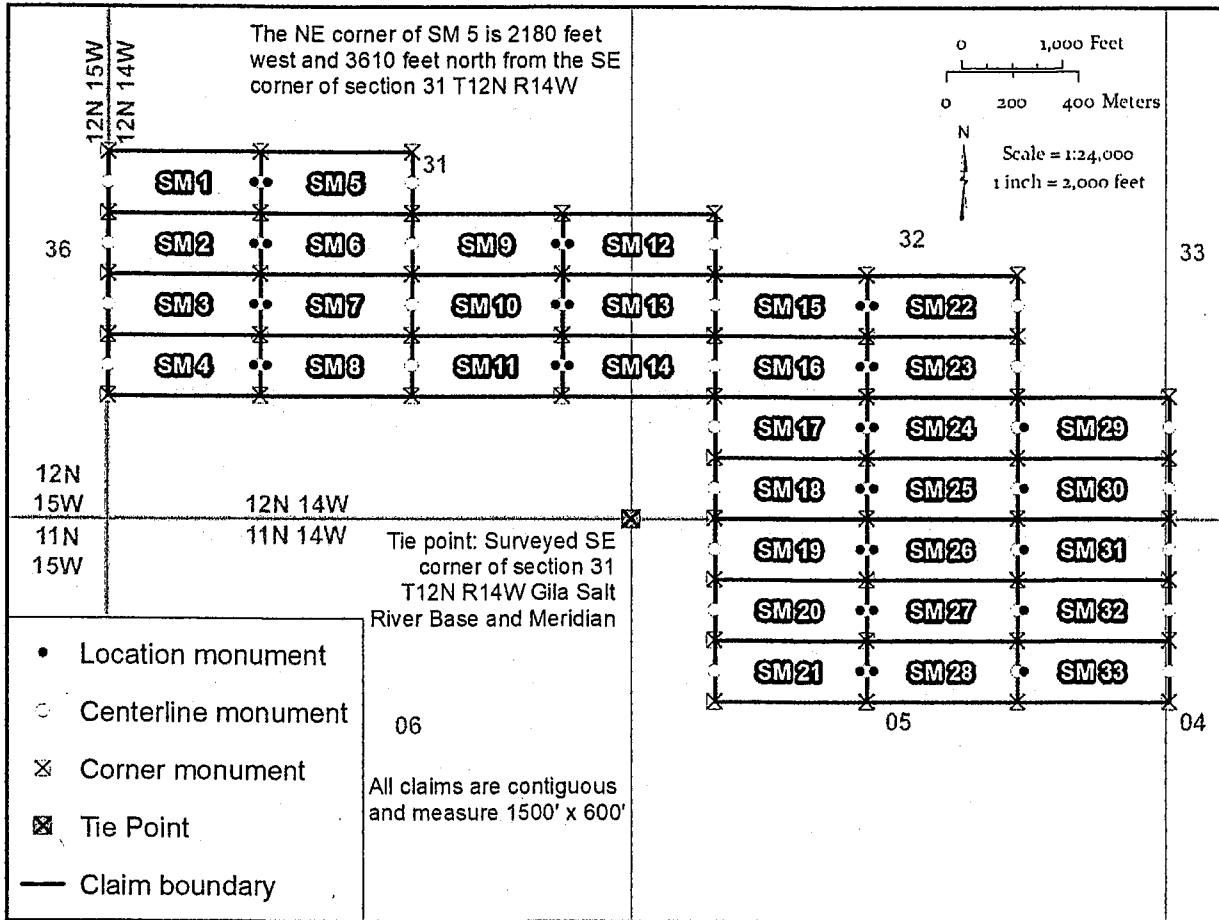
[ ] LOCATOR(s) [X] AGENT  
Printed Name(s): **Stephen McKay**

Signature:  Date: 24 October 2019

RECEIVED  
BLM AZ STATE OFFICE  
2019 OCT 30 P 3:08  
PHOENIX, ARIZONA

AMC458087





AMC458087

1. The above map depicts the **SM 24** mining claim, which is located in Section(s) **32** Township(s), **12N** Range(s) **14W**, Gila and Salt River Base and Meridian, **Mohave** County, Arizona. Total Acreage is **20.66**.
2. The type of corner and location monuments used are as follows: **2" X 2" X 60"** wooden post
3. The distances in feet between claim corners and to the public land survey monument are as depicted on the map.

RECEIVED  
BLM AZ STATE OFFICE  
2019 OCT 30 P 3:08  
PHOENIX, ARIZONA

2

When Recorded return to:  
Conquest Mining LLC  
P.O. Box 1243  
Cottonwood, AZ, 86326

**FEE# 2019058852**

OFFICIAL RECORDS  
OF MOHAVE COUNTY  
KRISTI BLAIR,  
COUNTY RECORDER



10/28/2019 10:28 AM Fee: \$30.00

PAGE: 1 of 2

**LOCATION NOTICE FOR LODE MINING CLAIM**

Amendment      BLM Serial # \_\_\_\_\_

NOTICE IS HEREBY GIVEN that the **SM 25** lode mining claim has been located by **Conquest Mining LLC** whose current mailing address is  
**P.O. Box 1243**  
**Cottonwood, AZ, 86326**

The general course of this claim is **east-west** and it is situated in **Mohave County, Arizona**. This claim is **1500** feet in length and **600** feet in width.

**20.66** Total Claim Acreage. This claim runs from the location monument on which this location notice is posted on the centerline of the claim approximately **20** feet in a **west** direction to the **west** end line and **1480** feet in a **east** direction to the **east** end line. This claim is marked by six monuments one at each corner and one at the center of each end line of the claim.

The location monument on which this notice is posted is situated within Section **32**, Township **12N**, Range **14W**, Gila and Salt River Base and Meridian, Arizona and this claim encompasses portions of the following quarter section(s), section(s), Township(s) and Range(s):

**SW** quarter of section **32 T12N R14W** Gila and Salt River Base and Meridian, Arizona  
**SE** quarter of section **32 T12N R14W** Gila and Salt River Base and Meridian, Arizona

The locality of this claim with reference to some natural object or permanent monument and additional information (if any) concerning its locality are as follows: The **NE** corner of the claim is **3820** feet east and **610** feet north from the **SE** corner of section **31 T 12N R 14W** Gila and Salt River Base and Meridian, Arizona.

The above information is shown on the attached map.

DATED AND POSTED on the ground this 24 day of **October 2019**.

[ ] LOCATOR(s) [X] AGENT  
Printed Name(s): **Stephen McKay**

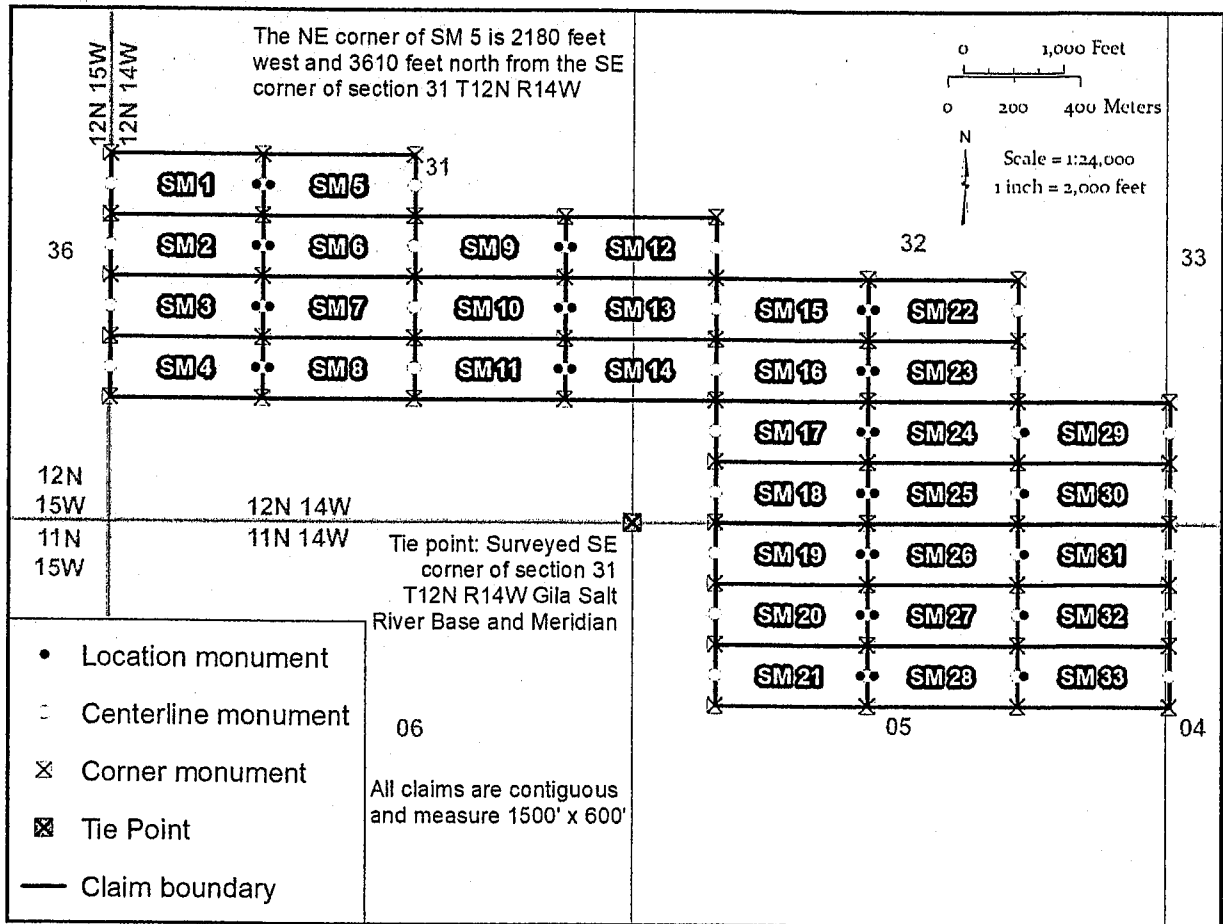
Signature: *Stephen McKay* Date: 24 October 2019

PHOENIX, ARIZONA

2019 OCT 30 P 3:08

RECEIVED  
BLM AZ STATE OFFICE

AMC458088



AMC158088

1. The above map depicts the **SM 25** mining claim, which is located in Section(s) **32** Township(s), **12N** Range(s) **14W**, Gila and Salt River Base and Meridian, **Mohave** County, Arizona. Total Acreage is **20.66**.
2. The type of corner and location monuments used are as follows: **2" X 2" X 60"** wooden post
3. The distances in feet between claim corners and to the public land survey monument are as depicted on the map.

RECEIVED  
BLM AZ STATE OFFICE  
2019 OCT 30 P 3:08  
PHOENIX, ARIZONA

2

When Recorded return to:  
Conquest Mining LLC  
P.O. Box 1243  
Cottonwood, AZ, 86326

**FEE# 2019058853**

OFFICIAL RECORDS  
OF MOHAVE COUNTY  
KRISTI BLAIR,  
COUNTY RECORDER



10/28/2019 10:28 AM Fee: \$30.00

PAGE: 1 of 2

**LOCATION NOTICE FOR LODGE MINING CLAIM**

Amendment      BLM Serial # \_\_\_\_\_

NOTICE IS HEREBY GIVEN that the **SM 26** lode mining claim has been located by **Conquest Mining LLC** whose current mailing address is  
**P.O. Box 1243  
Cottonwood, AZ, 86326**

The general course of this claim is **east-west** and it is situated in **Mohave County, Arizona**. This claim is **1500** feet in length and **600** feet in width.

**20.66** Total Claim Acreage. This claim runs from the location monument on which this location notice is posted on the centerline of the claim approximately **20** feet in a **west** direction to the **west** end line and **1480** feet in a **east** direction to the **east** end line. This claim is marked by six monuments one at each corner and one at the center of each end line of the claim.

The location monument on which this notice is posted is situated within Section **5**, Township **11N**, Range **14W**, Gila and Salt River Base and Meridian, Arizona and this claim encompasses portions of the following quarter section(s), section(s), Township(s) and Range(s):

- NW quarter of section 05 T11N R14W Gila and Salt River Base and Meridian, Arizona**
- NE quarter of section 05 T11N R14W Gila and Salt River Base and Meridian, Arizona**
- SE quarter of section 32 T12N R14W Gila and Salt River Base and Meridian, Arizona**
- SW quarter of section 32 T12N R14W Gila and Salt River Base and Meridian, Arizona**

The locality of this claim with reference to some natural object or permanent monument and additional information (if any) concerning its locality are as follows: The **NE corner of the claim is 3820 feet east and 10 feet south from the SE corner of section 31 T 12N R 14W Gila and Salt River Base and Meridian, Arizona.**

The above information is shown on the attached map.

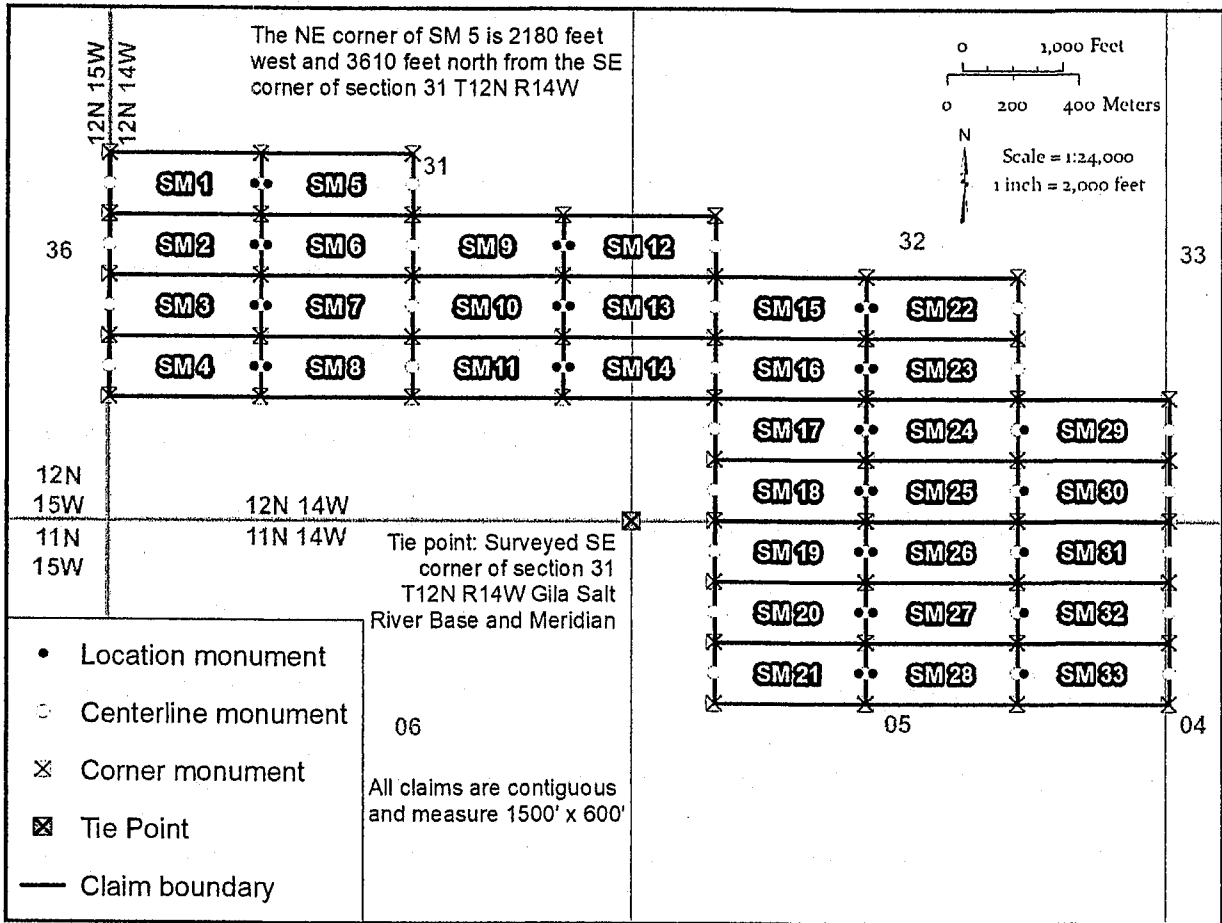
DATED AND POSTED on the ground this 24 day of October 2019.

[ ] LOCATOR(s) [X] AGENT  
Printed Name(s): **Stephen McKay**

Signature: *Stephen McKay* Date: 24 October 2019

RECEIVED  
BLM AZ STATE OFFICE  
2019 OCT 30 P 3: 08  
PHOENIX, ARIZONA

AHC458089



AMC458089

1. The above map depicts the **SM 26** mining claim, which is located in Section(s) **5**, 32 Township(s), **11N**, **12N** Range(s) **14W**, Gila and Salt River Base and Meridian, Mohave County, Arizona. Total Acreage is **20.66**.
2. The type of corner and location monuments used are as follows: **2" X 2" X 60" wooden post**
3. The distances in feet between claim corners and to the public land survey monument are as depicted on the map.

RECEIVED  
 BLM AZ STATE OFFICE  
 2019 OCT 30 P 3:09  
 PHOENIX, ARIZONA

2

When Recorded return to:  
Conquest Mining LLC  
P.O. Box 1243  
Cottonwood, AZ, 86326

**FEE# 2019058854**

OFFICIAL RECORDS  
OF MOHAVE COUNTY  
KRISTI BLAIR,  
COUNTY RECORDER



10/28/2019 10:28 AM Fee: \$30.00

PAGE: 1 of 2

**LOCATION NOTICE FOR LODE MINING CLAIM**

Amendment      BLM Serial # \_\_\_\_\_

NOTICE IS HEREBY GIVEN that the **SM 27** lode mining claim has been located by **Conquest Mining LLC** whose current mailing address is  
**P.O. Box 1243**  
**Cottonwood, AZ, 86326**

The general course of this claim is **east-west** and it is situated in **Mohave County, Arizona**. This claim is **1500** feet in length and **600** feet in width.

**20.66** Total Claim Acreage. This claim runs from the location monument on which this location notice is posted on the centerline of the claim approximately **20** feet in a **west** direction to the **west** end line and **1480** feet in a **east** direction to the **east** end line. This claim is marked by six monuments one at each corner and one at the center of each end line of the claim.

The location monument on which this notice is posted is situated within Section **5**, Township **11N**, Range **14W**, Gila and Salt River Base and Meridian, Arizona and this claim encompasses portions of the following quarter section(s), section(s), Township(s) and Range(s):  
**NW quarter of section 05 T11N R14W Gila and Salt River Base and Meridian, Arizona**  
**NE quarter of section 05 T11N R14W Gila and Salt River Base and Meridian, Arizona**

The locality of this claim with reference to some natural object or permanent monument and additional information (if any) concerning its locality are as follows: The **NE** corner of the claim is **3820** feet east and **590** feet south from the **SE** corner of section **31 T 12N R 14W Gila and Salt River Base and Meridian, Arizona**.

The above information is shown on the attached map.

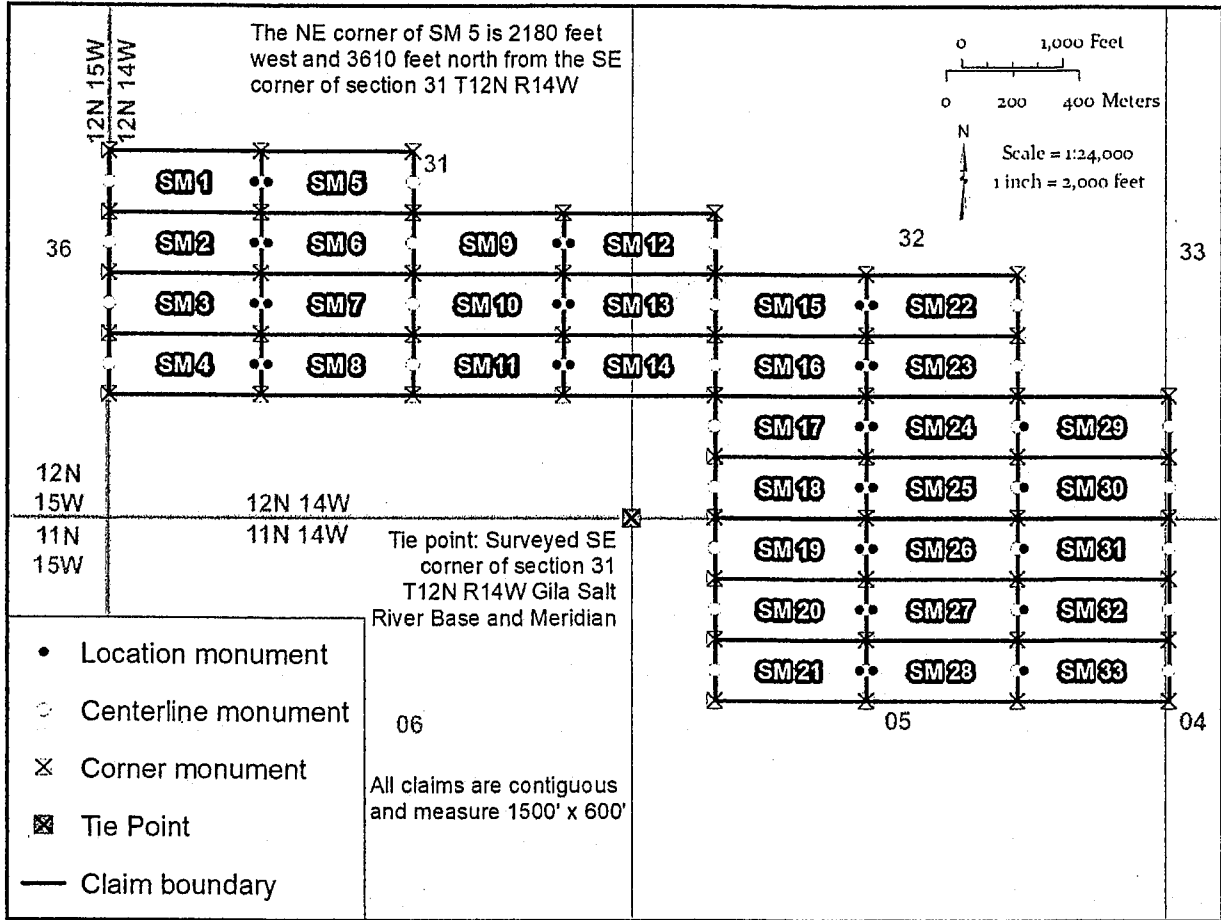
DATED AND POSTED on the ground this 24 day of October 2019.

[ ] LOCATOR(s) [X] AGENT  
Printed Name(s): **Stephen McKay**

Signature: *Stephen McKay* Date: 24 October 2019

RECEIVED  
BLM AZ STATE OFFICE  
2019 OCT 30 P 3:09  
PHOENIX, ARIZONA

AMC458090



ANCL458090

1. The above map depicts the **SM 27** mining claim, which is located in Section(s) **5** Township(s), **11N** Range(s) **14W**, Gila and Salt River Base and Meridian, Mohave County, Arizona. Total Acreage is **20.66**.
2. The type of corner and location monuments used are as follows: **2" X 2" X 60" wooden post**
3. The distances in feet between claim corners and to the public land survey monument are as depicted on the map.

RECEIVED  
 BLM AZ STATE OFFICE  
 2019 OCT 30 P 3:09  
 PHOENIX, ARIZONA

2

When Recorded return to:  
Conquest Mining LLC  
P.O. Box 1243  
Cottonwood, AZ, 86326

**FEE# 2019058855**

OFFICIAL RECORDS  
OF MOHAVE COUNTY  
KRISTI BLAIR,  
COUNTY RECORDER



10/28/2019 10:28 AM Fee: \$30.00

PAGE: 1 of 2

**LOCATION NOTICE FOR LODE MINING CLAIM**

Amendment      BLM Serial # \_\_\_\_\_

NOTICE IS HEREBY GIVEN that the **SM 28** lode mining claim has been located by **Conquest Mining LLC** whose current mailing address is  
**P.O. Box 1243  
Cottonwood, AZ, 86326**

The general course of this claim is **east-west** and it is situated in **Mohave County, Arizona**. This claim is **1500** feet in length and **600** feet in width.

**20.66** Total Claim Acreage. This claim runs from the location monument on which this location notice is posted on the centerline of the claim approximately **20** feet in a **west** direction to the **west** end line and **1480** feet in a **east** direction to the **east** end line. This claim is marked by six monuments one at each corner and one at the center of each end line of the claim.

The location monument on which this notice is posted is situated within **Section 5, Township 11N, Range 14W, Gila and Salt River Base and Meridian, Arizona** and this claim encompasses portions of the following quarter section(s), section(s), Township(s) and Range(s):

**NW quarter of section 05 T11N R14W Gila and Salt River Base and Meridian, Arizona  
NE quarter of section 05 T11N R14W Gila and Salt River Base and Meridian, Arizona**

The locality of this claim with reference to some natural object or permanent monument and additional information (if any) concerning its locality are as follows: **The NE corner of the claim is 3820 feet east and 1190 feet south from the SE corner of section 31 T 12N R 14W Gila and Salt River Base and Meridian, Arizona.**

The above information is shown on the attached map.

DATED AND POSTED on the ground this 24 day of **October 2019**.

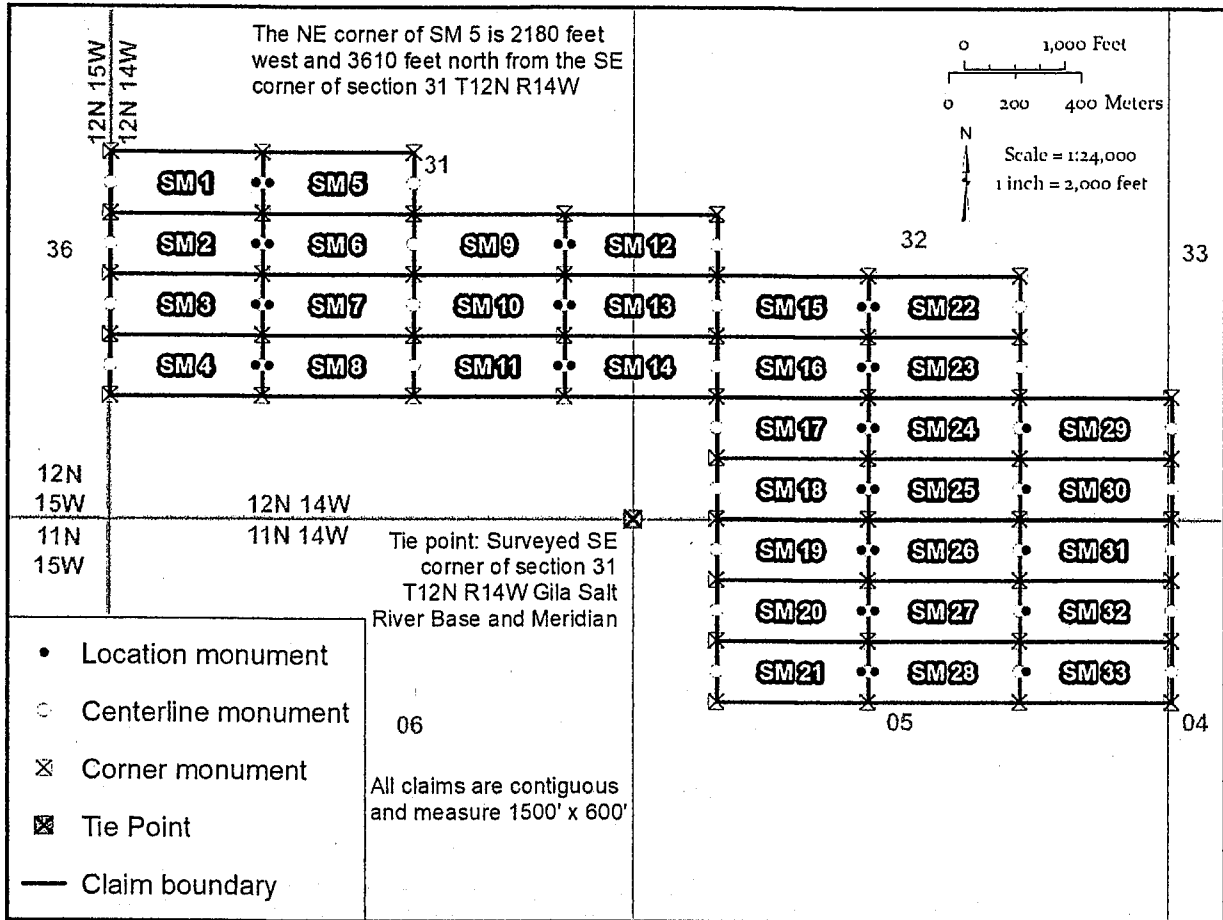
[ ] LOCATOR(s) [X] AGENT  
Printed Name(s): **Stephen McKay**

Signature: *Stephen McKay* Date: 24 October 2019

RECEIVED  
BLM AZ STATE OFFICE  
2019 OCT 30 P 3:09  
PHOENIX, ARIZONA

AMC458091





AMC458091

1. The above map depicts the **SM 28** mining claim, which is located in Section(s) **5** Township(s), **11N** Range(s) **14W**, Gila and Salt River Base and Meridian, **Mohave** County, Arizona. Total Acreage is **20.66**.
2. The type of corner and location monuments used are as follows: **2" X 2" X 60" wooden post**
3. The distances in feet between claim corners and to the public land survey monument are as depicted on the map.

RECEIVED  
BLM AZ STATE OFFICE  
2019 OCT 30 P 3:09  
PHOENIX, ARIZONA

2

When Recorded return to:  
Conquest Mining LLC  
P.O. Box 1243  
Cottonwood, AZ, 86326

**FEE# 2019058856**

OFFICIAL RECORDS  
OF MOHAVE COUNTY  
KRISTI BLAIR,  
COUNTY RECORDER



10/28/2019 10:28 AM Fee: \$30.00

PAGE: 1 of 2

**LOCATION NOTICE FOR LODE MINING CLAIM**

Amendment      BLM Serial # \_\_\_\_\_

NOTICE IS HEREBY GIVEN that the **SM 29** lode mining claim has been located by **Conquest Mining LLC** whose current mailing address is  
**P.O. Box 1243**  
**Cottonwood, AZ, 86326**

The general course of this claim is **east-west** and it is situated in **Mohave County, Arizona**. This claim is **1500** feet in length and **600** feet in width.

**20.66** Total Claim Acreage. This claim runs from the location monument on which this location notice is posted on the centerline of the claim approximately **20** feet in a **west** direction to the **west** end line and **1480** feet in a **east** direction to the **east** end line. This claim is marked by six monuments one at each corner and one at the center of each end line of the claim.

The location monument on which this notice is posted is situated within Section **32**, Township **12N**, Range **14W**, Gila and Salt River Base and Meridian, Arizona and this claim encompasses portions of the following quarter section(s), section(s), Township(s) and Range(s):

- SE quarter of section 32 T12N R14W Gila and Salt River Base and Meridian, Arizona**
- SW quarter of section 33 T12N R14W Gila and Salt River Base and Meridian, Arizona**

The locality of this claim with reference to some natural object or permanent monument and additional information (if any) concerning its locality are as follows: The **NE corner of the claim** is **5320** feet east and **1210** feet north from the **SE corner of section 31 T 12N R 14W Gila and Salt River Base and Meridian, Arizona**.

The above information is shown on the attached map.

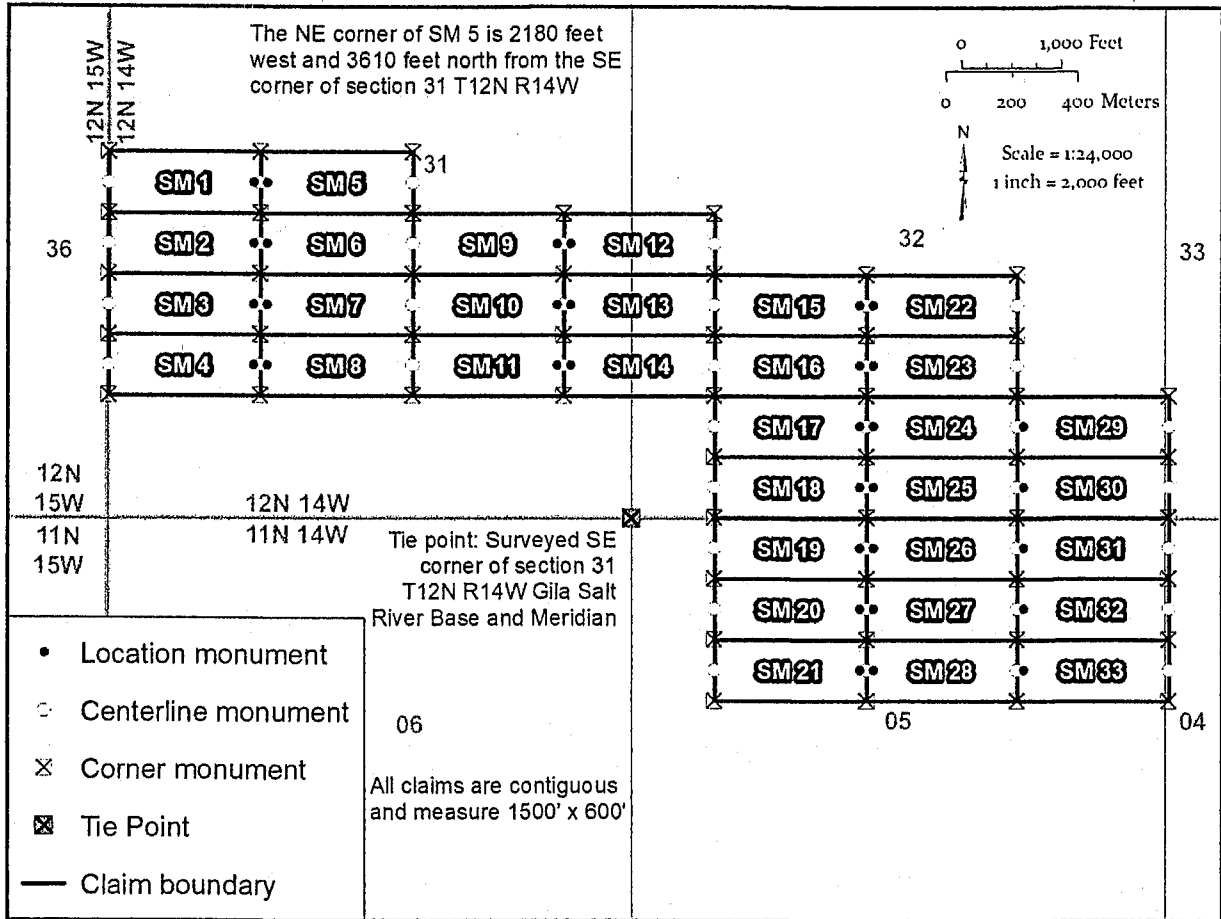
DATED AND POSTED on the ground this 25 day of **October 2019**.

LOCATOR(s)  AGENT  
Printed Name(s): **Stephen McKay**

Signature: *Stephen McKay* Date: 25 October 2019

RECEIVED  
BLM AZ STATE OFFICE  
2019 OCT 30 P 3:09  
PHOENIX, ARIZONA

AHC458092



AMC458092

1. The above map depicts the **SM 29** mining claim, which is located in Section(s) **32, 33** Township(s), **12N** Range(s) **14W**, Gila and Salt River Base and Meridian, **Mohave** County, Arizona. Total Acreage is **20.66**.
2. The type of corner and location monuments used are as follows: **2" X 2" X 60" wooden post**
3. The distances in feet between claim corners and to the public land survey monument are as depicted on the map.

RECEIVED  
 BLM AZ STATE OFFICE  
 2019 OCT 30 P 3:09  
 PHOENIX, ARIZONA

2

When Recorded return to:  
Conquest Mining LLC  
P.O. Box 1243  
Cottonwood, AZ, 86326

**FEE# 2019058857**

OFFICIAL RECORDS  
OF MOHAVE COUNTY  
KRISTI BLAIR,  
COUNTY RECORDER



10/28/2019 10:28 AM Fee: \$30.00

PAGE: 1 of 2

**LOCATION NOTICE FOR LODE MINING CLAIM**

Amendment      BLM Serial # \_\_\_\_\_

NOTICE IS HEREBY GIVEN that the **SM 30** lode mining claim has been located by **Conquest Mining LLC** whose current mailing address is  
**P.O. Box 1243**  
**Cottonwood, AZ, 86326**

The general course of this claim is **east-west** and it is situated in **Mohave County, Arizona**. This claim is **1500** feet in length and **600** feet in width.

**20.66** Total Claim Acreage. This claim runs from the location monument on which this location notice is posted on the centerline of the claim approximately **20** feet in a **west** direction to the **west** end line and **1480** feet in a **east** direction to the **east** end line. This claim is marked by six monuments one at each corner and one at the center of each end line of the claim.

The location monument on which this notice is posted is situated within Section **32**, Township **12N**, Range **14W**, Gila and Salt River Base and Meridian, Arizona and this claim encompasses portions of the following quarter section(s), section(s), Township(s) and Range(s):

**SE quarter of section 32 T12N R14W Gila and Salt River Base and Meridian, Arizona**  
**SW quarter of section 33 T12N R14W Gila and Salt River Base and Meridian, Arizona**

The locality of this claim with reference to some natural object or permanent monument and additional information (if any) concerning its locality are as follows: The **NE** corner of the claim is **5320** feet east and **610** feet north from the **SE** corner of section **31 T 12N R 14W Gila and Salt River Base and Meridian, Arizona**.

The above information is shown on the attached map.

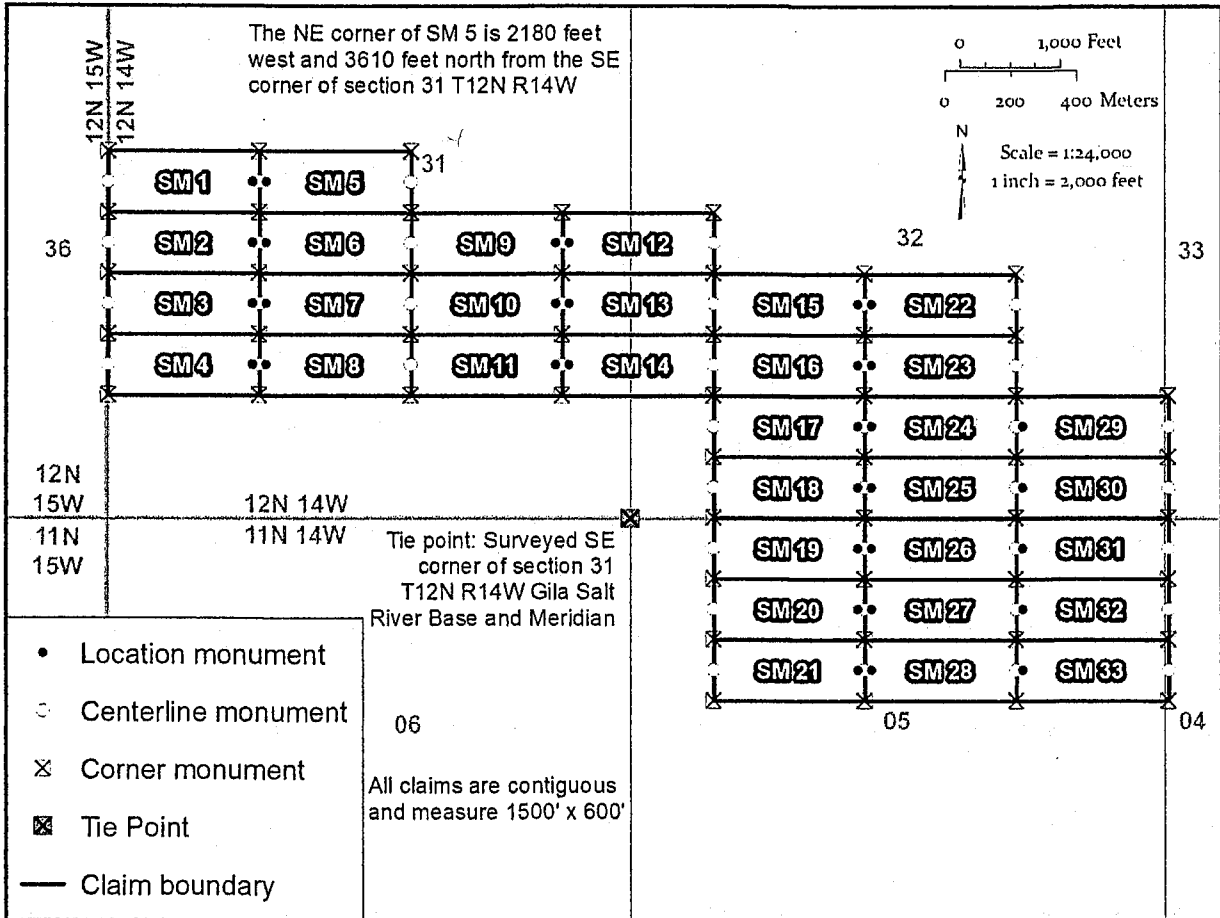
DATED AND POSTED on the ground this 25 day of **October 2019**.

[ ] LOCATOR(s) [X] AGENT  
Printed Name(s): **Stephen McKay**

Signature: *Stephen McKay* Date: 25 October 2019

RECEIVED  
BLM AT STATE OFFICE  
2019 OCT 30 P 3: 09  
PHOENIX, ARIZONA

AMC458093



AMC458093

1. The above map depicts the **SM 30** mining claim, which is located in Section(s) **32, 33** Township(s), **12N** Range(s) **14W**, Gila and Salt River Base and Meridian, **Mohave** County, Arizona. Total Acreage is **20.66**.
2. The type of corner and location monuments used are as follows: **2" X 2" X 60" wooden post**
3. The distances in feet between claim corners and to the public land survey monument are as depicted on the map.

RECEIVED  
 M M AZ STATE OFFICE  
 2019 OCT 30 P 3:09  
 PHOENIX, ARIZONA

2

When Recorded return to:  
Conquest Mining LLC  
P.O. Box 1243  
Cottonwood, AZ, 86326

**FEE# 2019058858**

OFFICIAL RECORDS  
OF MOHAVE COUNTY  
KRISTI BLAIR,  
COUNTY RECORDER



10/28/2019 10:28 AM Fee: \$30.00

PAGE: 1 of 2

**LOCATION NOTICE FOR LODE MINING CLAIM**

Amendment      BLM Serial # \_\_\_\_\_

NOTICE IS HEREBY GIVEN that the **SM 31** lode mining claim has been located by **Conquest Mining LLC** whose current mailing address is  
**P.O. Box 1243**  
**Cottonwood, AZ, 86326**

The general course of this claim is **east-west** and it is situated in **Mohave County, Arizona**. This claim is **1500** feet in length and **600** feet in width.

**20.66** Total Claim Acreage. This claim runs from the location monument on which this location notice is posted on the centerline of the claim approximately **20** feet in a **west** direction to the **west** end line and **1480** feet in a **east** direction to the **east** end line. This claim is marked by six monuments one at each corner and one at the center of each end line of the claim.

The location monument on which this notice is posted is situated within Section **5**, Township **11N**, Range **14W**, Gila and Salt River Base and Meridian, Arizona and this claim encompasses portions of the following quarter section(s), section(s), Township(s) and Range(s):

**NE** quarter of section **05 T11N R14W Gila and Salt River Base and Meridian, Arizona**

**SE** quarter of section **32 T12N R14W Gila and Salt River Base and Meridian, Arizona**

**SW** quarter of section **33 T12N R14W Gila and Salt River Base and Meridian, Arizona**

**NW** quarter of section **04 T11N R14W Gila and Salt River Base and Meridian, Arizona**

The locality of this claim with reference to some natural object or permanent monument and additional information (if any) concerning its locality are as follows: The **NE** corner of the claim is **5320** feet east and **10** feet north from the **SE** corner of section **31 T 12N R 14W Gila and Salt River Base and Meridian, Arizona**.

The above information is shown on the attached map.

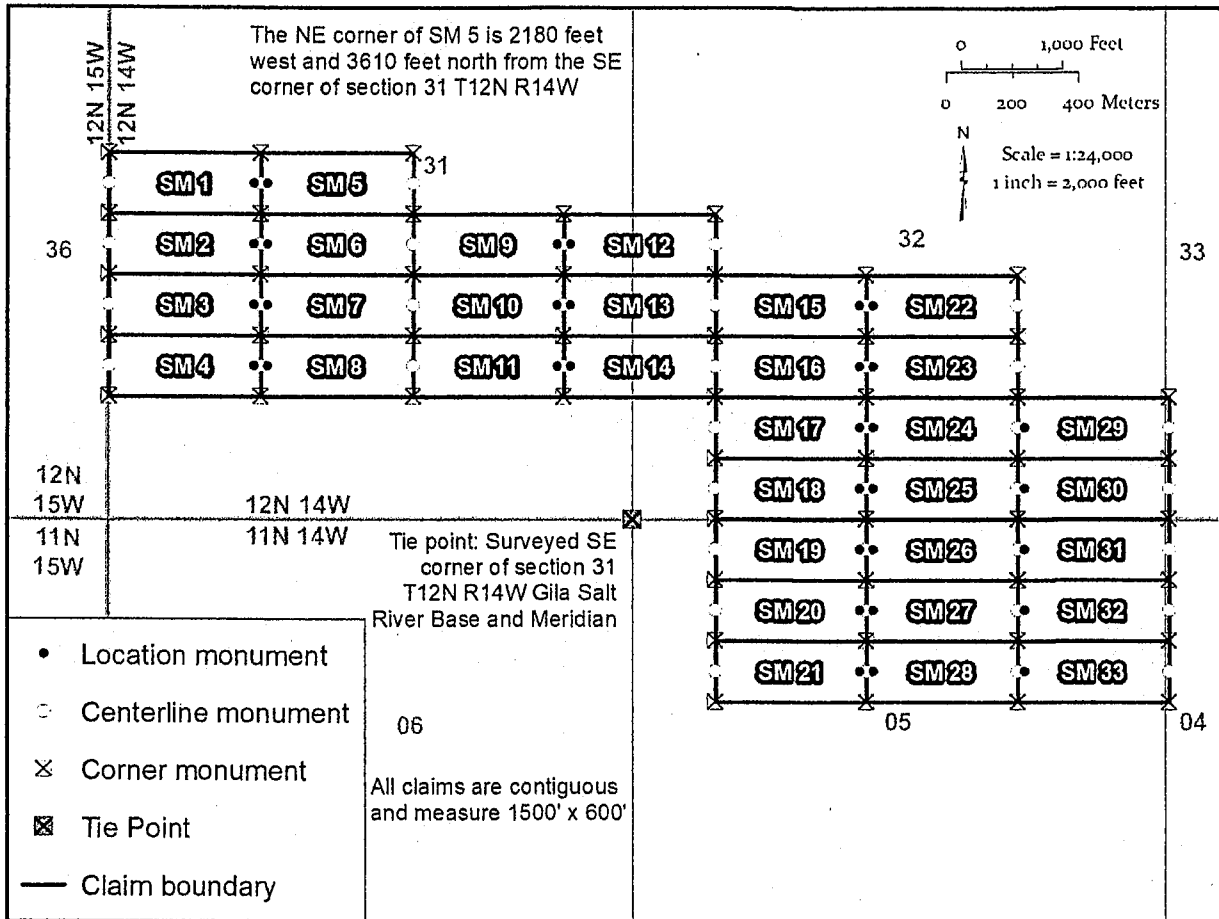
DATED AND POSTED on the ground this 25 day of **October 2019**.

[ ] LOCATOR(s) [X] AGENT  
Printed Name(s): **Stephen McKay**

Signature: *Stephen McKay* Date: 25 October 2019

RECEIVED  
BLM AZ STATE OFFICE  
2019 OCT 30 P 3:09  
PHOENIX, ARIZONA

AHC458094



AMC458094

1. The above map depicts the **SM 31** mining claim, which is located in Section(s) **5, 32, 33, 4** Township(s), **11N, 12N, 12N, 11N** Range(s) **14W**, Gila and Salt River Base and Meridian, **Mohave** County, Arizona. Total Acreage is **20.66**.
2. The type of corner and location monuments used are as follows: **2" X 2" X 60"** wooden post
3. The distances in feet between claim corners and to the public land survey monument are as depicted on the map.

RECEIVED  
 DEPT. OF STATE OFFICE  
 2019 OCT 30 P 3:09  
 PHOENIX, ARIZONA

2

When Recorded return to:  
Conquest Mining LLC  
P.O. Box 1243  
Cottonwood, AZ, 86326

  
**FEE# 2019058859**

OFFICIAL RECORDS  
OF MOHAVE COUNTY  
KRISTI BLAIR,  
COUNTY RECORDER



10/28/2019 10:28 AM Fee: \$30.00

PAGE: 1 of 2

**LOCATION NOTICE FOR LODE MINING CLAIM**

Amendment      BLM Serial # \_\_\_\_\_

NOTICE IS HEREBY GIVEN that the **SM 32** lode mining claim has been located by **Conquest Mining LLC** whose current mailing address is  
**P.O. Box 1243**  
**Cottonwood, AZ, 86326**

The general course of this claim is **east-west** and it is situated in **Mohave County, Arizona**. This claim is **1500** feet in length and **600** feet in width.

**20.66** Total Claim Acreage. This claim runs from the location monument on which this location notice is posted on the centerline of the claim approximately **20** feet in a **west** direction to the **west** end line and **1480** feet in a **east** direction to the **east** end line. This claim is marked by six monuments one at each corner and one at the center of each end line of the claim.

The location monument on which this notice is posted is situated within Section **5**, Township **11N**, Range **14W**, Gila and Salt River Base and Meridian, Arizona and this claim encompasses portions of the following quarter section(s), section(s), Township(s) and Range(s):

**NE quarter of section 05 T11N R14W Gila and Salt River Base and Meridian, Arizona**  
**NW quarter of section 04 T11N R14W Gila and Salt River Base and Meridian, Arizona**

AMC 458095

The locality of this claim with reference to some natural object or permanent monument and additional information (if any) concerning its locality are as follows: The **NE corner of the claim is 5320 feet east and 590 feet south from the SE corner of section 31 T 12N R 14W Gila and Salt River Base and Meridian, Arizona.**

The above information is shown on the attached map.

DATED AND POSTED on the ground this 25 day of **October 2019**.

[ ] LOCATOR(s) [X] AGENT  
Printed Name(s): **Stephen McKay**

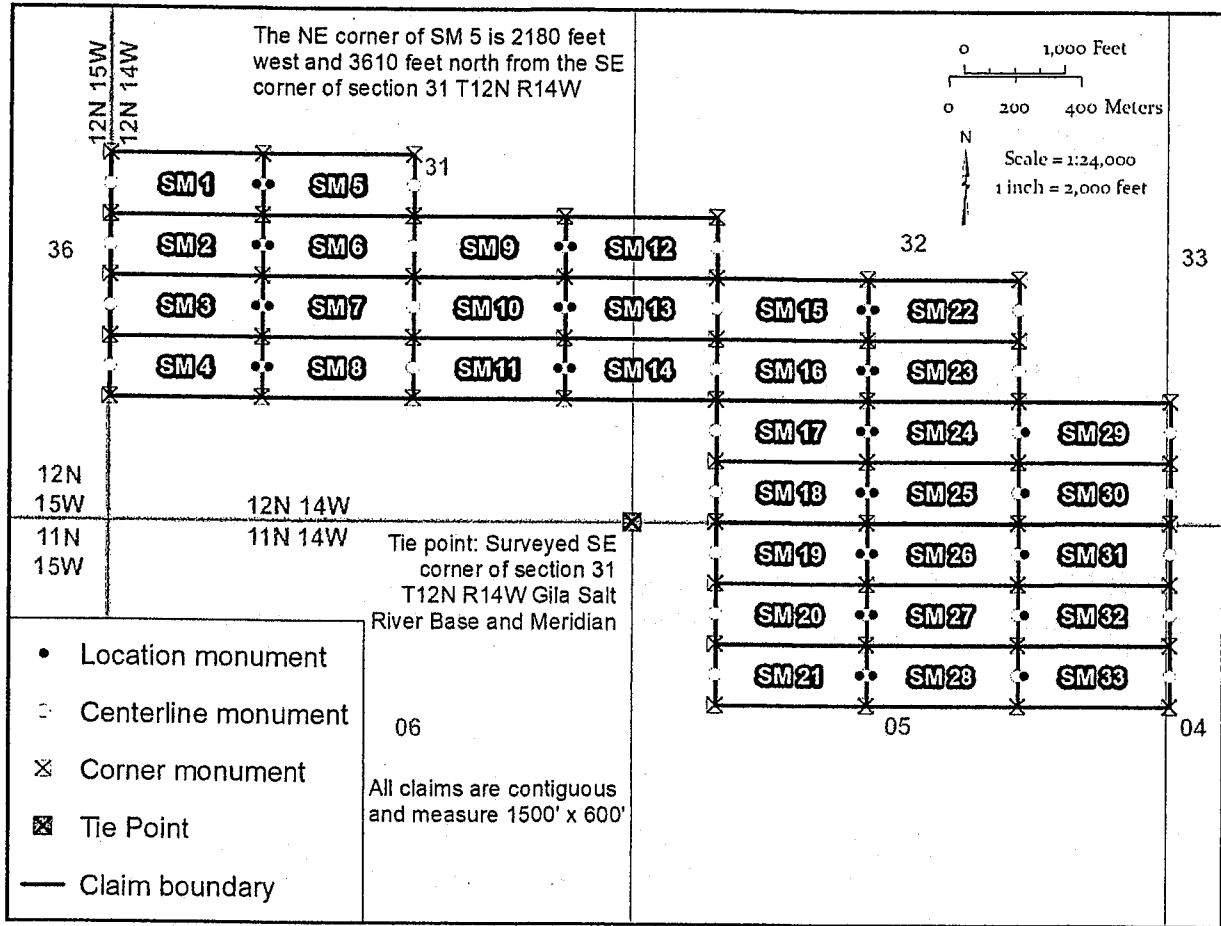
Signature:  Date: 25 October 2019

PHOENIX, ARIZONA

2019 OCT 30 P 3:09

RECEIVED  
BLM AZ STATE OFFICE





AMC458095

1. The above map depicts the **SM 32** mining claim, which is located in Section(s) 5, 4 Township(s), 11N Range(s) 14W, Gila and Salt River Base and Meridian, Mohave County, Arizona. Total Acreage is 20.66.
2. The type of corner and location monuments used are as follows: 2" X 2" X 60" wooden post
3. The distances in feet between claim corners and to the public land survey monument are as depicted on the map.

RECEIVED  
 BLM AZ STATE OFFICE  
 2019 OCT 30 P 3:09  
 PHOENIX, ARIZONA

2

When Recorded return to:  
Conquest Mining LLC  
P.O. Box 1243  
Cottonwood, AZ, 86326



**FEE# 2019058860**

OFFICIAL RECORDS  
OF MOHAVE COUNTY  
KRISTI BLAIR,  
COUNTY RECORDER



10/28/2019 10:28 AM Fee: \$30.00

PAGE: 1 of 2

**LOCATION NOTICE FOR LODE MINING CLAIM**

Amendment      BLM Serial # \_\_\_\_\_

NOTICE IS HEREBY GIVEN that the **SM 33** lode mining claim has been located by **Conquest Mining LLC** whose current mailing address is  
**P.O. Box 1243**  
**Cottonwood, AZ, 86326**

The general course of this claim is **east-west** and it is situated in **Mohave County, Arizona**. This claim is **1500** feet in length and **600** feet in width.

**20.66** Total Claim Acreage. This claim runs from the location monument on which this location notice is posted on the centerline of the claim approximately **20** feet in a **west** direction to the **west** end line and **1480** feet in a **east** direction to the **east** end line. This claim is marked by six monuments one at each corner and one at the center of each end line of the claim.

The location monument on which this notice is posted is situated within Section **5**, Township **11N**, Range **14W**, Gila and Salt River Base and Meridian, Arizona and this claim encompasses portions of the following quarter section(s), section(s), Township(s) and Range(s):

**NE quarter of section 05 T11N R14W Gila and Salt River Base and Meridian, Arizona**  
**NW quarter of section 04 T11N R14W Gila and Salt River Base and Meridian, Arizona**

The locality of this claim with reference to some natural object or permanent monument and additional information (if any) concerning its locality are as follows: The **NE corner of the claim is 5320 feet east and 1190 feet south from the SE corner of section 31 T 12N R 14W Gila and Salt River Base and Meridian, Arizona.**

The above information is shown on the attached map.

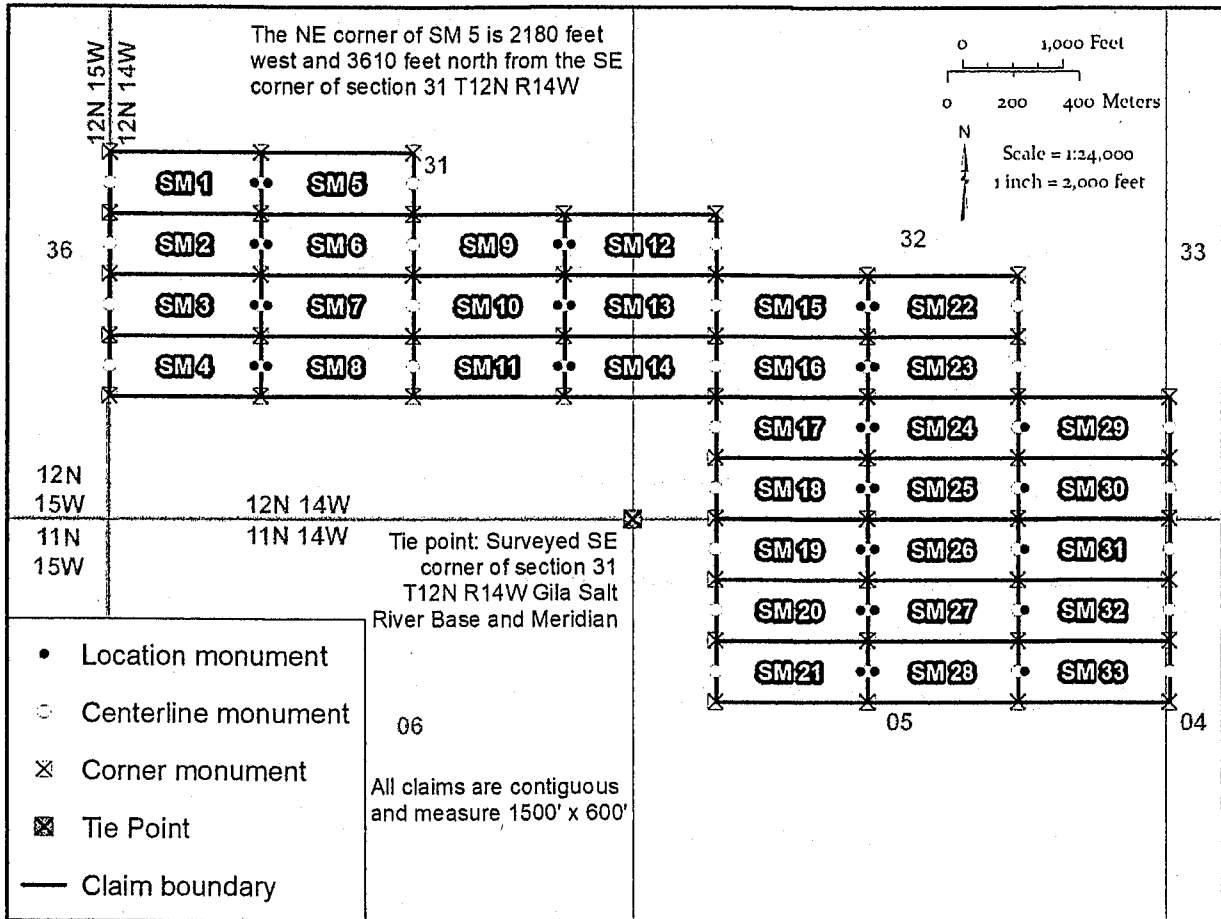
DATED AND POSTED on the ground this 25 day of October 2019.

[ ] LOCATOR(s) [X] AGENT  
Printed Name(s): **Stephen McKay**

Signature: *Stephen McKay* Date: 25 October 2019

RECEIVED  
BLM AZ STATE OFFICE  
2019 OCT 30 P 3: 09  
PHOENIX, ARIZONA

AMC45809b



AMC 458096

1. The above map depicts the **SM 33** mining claim, which is located in Section(s) **5, 4** Township(s), **11N** Range(s) **14W**, Gila and Salt River Base and Meridian, **Mohave County, Arizona**. Total Acreage is **20.66**.
2. The type of corner and location monuments used are as follows: **2" X 2" X 60"** wooden post
3. The distances in feet between claim corners and to the public land survey monument are as depicted on the map.

RECEIVED  
 BLAZ STATE OFFICE  
 2009 OCT 30 P 3:09  
 PHOENIX, ARIZONA

DEPARTMENT OF THE INTERIOR  
BUREAU OF LAND MANAGEMENT  
Case Recordation  
Geographic Report with Land

Disposition is equal to **AUTHORIZED , CANCELLED , EXPIRED , PENDING , REJECTED , RELINQUISHED , WITHDRAWN**  
and Meridian Township Range Section is equal to **14 0110N 0140W 004 , 14 0110N 0140W 005 , 14 0110N 0140W 022 , 14 0110N 0140W 023 , 14 0120N 0140W 031 , 14 0120N 0140W 032 , 14 0120N 0140W 033**  
and Admin State is equal to **AZ**

DEPARTMENT OF THE INTERIOR  
BUREAU OF LAND MANAGEMENT  
Case Recordation  
Geographic Report with Land

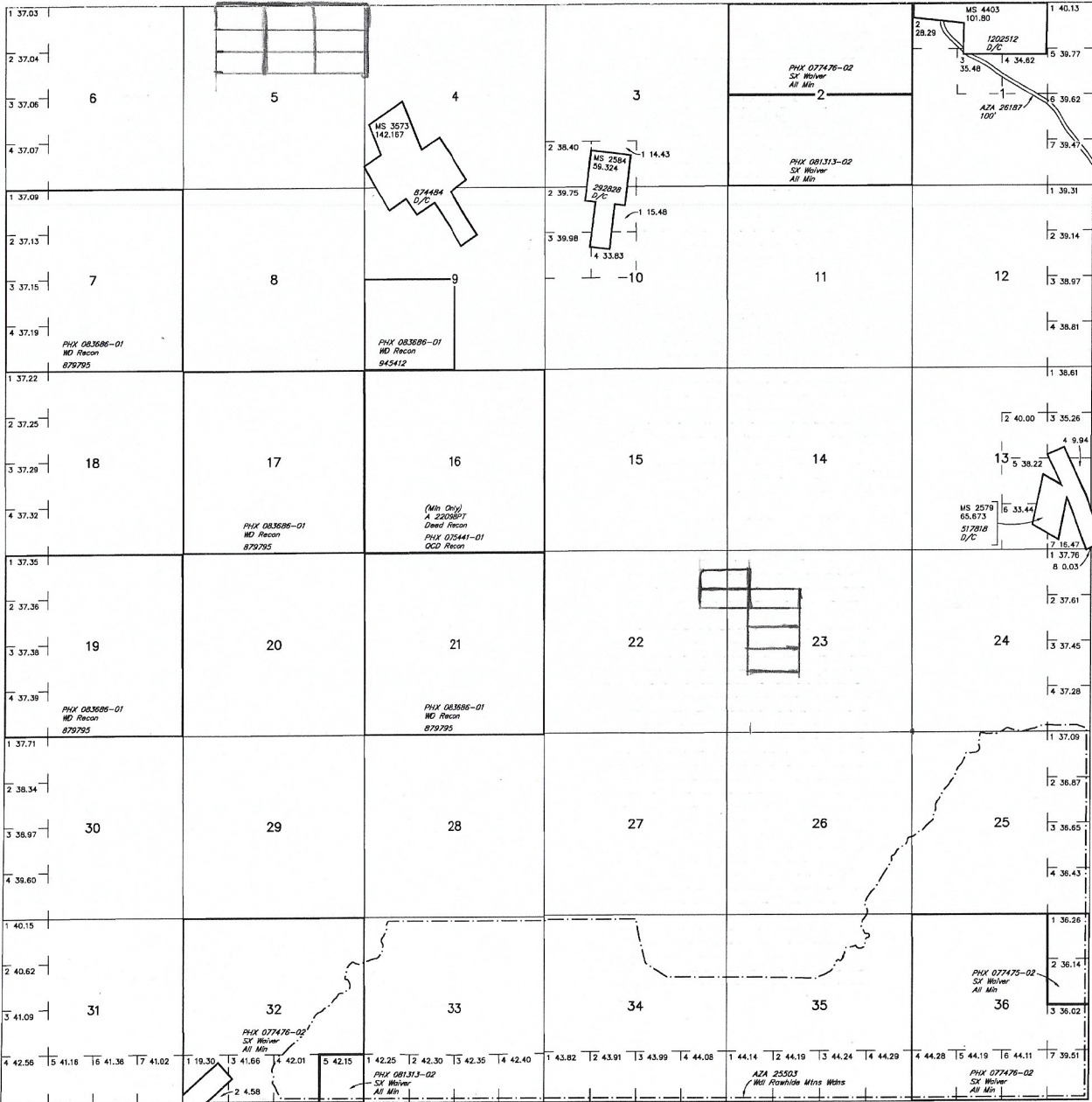
Admin State: AZ  
Geo State: AZ

Serial Number	Total Case Acres:	Casetype	Case Disp	Mer	Twp	Rng	Sec	Sur Type	Sur Nr	Suf	Subdivision	Act Pend
AZA 019123PT	106,366.240	221006	AUTHORIZED	14	0120N	0140W	032	ALIQ			NE;	
AZA 022448PT	42,694.470	221006	AUTHORIZED					ALIQ			NW,W2SW,NESW, N2SE,SESE;	

# TOWNSHIP 11 NORTH RANGE 14 WEST OF THE GILA AND SALT RIVER MERIDIAN, ARIZONA

MOHAVE COUNTY  
LAKE HAVASU FIELD OFFICE

**STATUS OF PUBLIC DOMAIN  
LAND AND MINERAL TITLES**

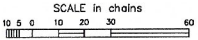


INDEX TO SEGREGATED TRACTS					
RESURVEY		ORIGINAL SURVEY			
TRACT NO	T	R	SEC	SUBDIVISION	

*FOR ORDERS AFFECTING DISPOSAL OR USE OF UNIDENTIFIED LANDS WITHDRAWN FOR CLASSIFICATION, MINERALS, WATER AND/OR OTHER PUBLIC PURPOSES, REFER TO INDEX OF MISCELLANEOUS DOCUMENTS.*

Grazing Dist No 2  
MS 386 NE  
397 NW  
388 SW

Lot 34°14'49"N  
Long 113°40'11"W



**WARNING STATEMENT**  
This plot is the Bureau's Record of Title, and should be used only as a graphic display of the locatable survey data. Records herein do not reflect the changes which may have been effected by lateral movements of rivers or other bodies of water. Refer to the cadastral surveys for official survey information.

CURRENT TO	LT	GSR Mer
4-27-2017	ACAD	T 11 N R 14 W



PRIORITY MAIL

PRESS FIRMLY TO SEAL

PRIORITY MAIL

PRESS FIRMLY TO SEAL

PRIORITY MAIL

United States Postal Service

VISIT US AT USPS.COM® Label 106A, Nov 2018

United States Postal Service

VISIT US AT USPS.COM® Label 106A, Nov 2018

United States Postal Service



UNITED STATES POSTAGE  
PITNEY BOWES  
02-1P \$ 007.350  
0000328711 OCT 28 2019  
MAILED FROM ZIP CODE 86401



PRIORITY MAIL



This envelope is made from post-consumed material.

1234567  
1234567  
1234567

- Date of delivery specified\*
- USPS TRACKING™ included to many major international destinations.
- Limited international insurance.
- Pick up available.\*
- Order supplies online.\*
- When used internationally, a customs declaration label may be required.



USPS TRACKING #



9114 9023 0722 4034 8940 73

Label 400 Jan 2013  
7880-16-000-7048

RECEIVED  
BLM AZ STATE OFFICE  
D: 12 1/2 x 9 1/2  
14F Oct 2018

PHOENIX, ARIZONA  
01 3 P 3 10  
2019 OCT 30



To schedule free Package Pickup, scan the QR code.

USPS.COM/PICKUP

FROM:

PRIORITY MAIL



VISIT US AT USPS.COM® ORDER FREE SUPPLIES ONLINE

FROM:

Stephen McKay  
1338 E. 5875 S.  
South Ogden, Utah 84405

TO: BLM

One North Central Ave Suite 800  
Phoenix Arizona  
85004

Label 228, March 2016

FOR DOMESTIC AND INTERNATIONAL USE

This packaging is the property of the U.S. Postal Service® and is provided solely for use in sending mail by Mail® shipment. This packaging is not for resale. EP14F © U.S. Postal Service; C Misuse may be a violation of federal law.